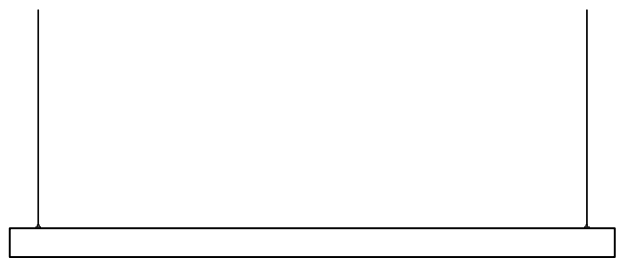

A-BEAM LIGHT

Design by
Thomas Housden

Dimensions
L1600/1800mm, H77mm, W51mm

Weight
9-10 KG

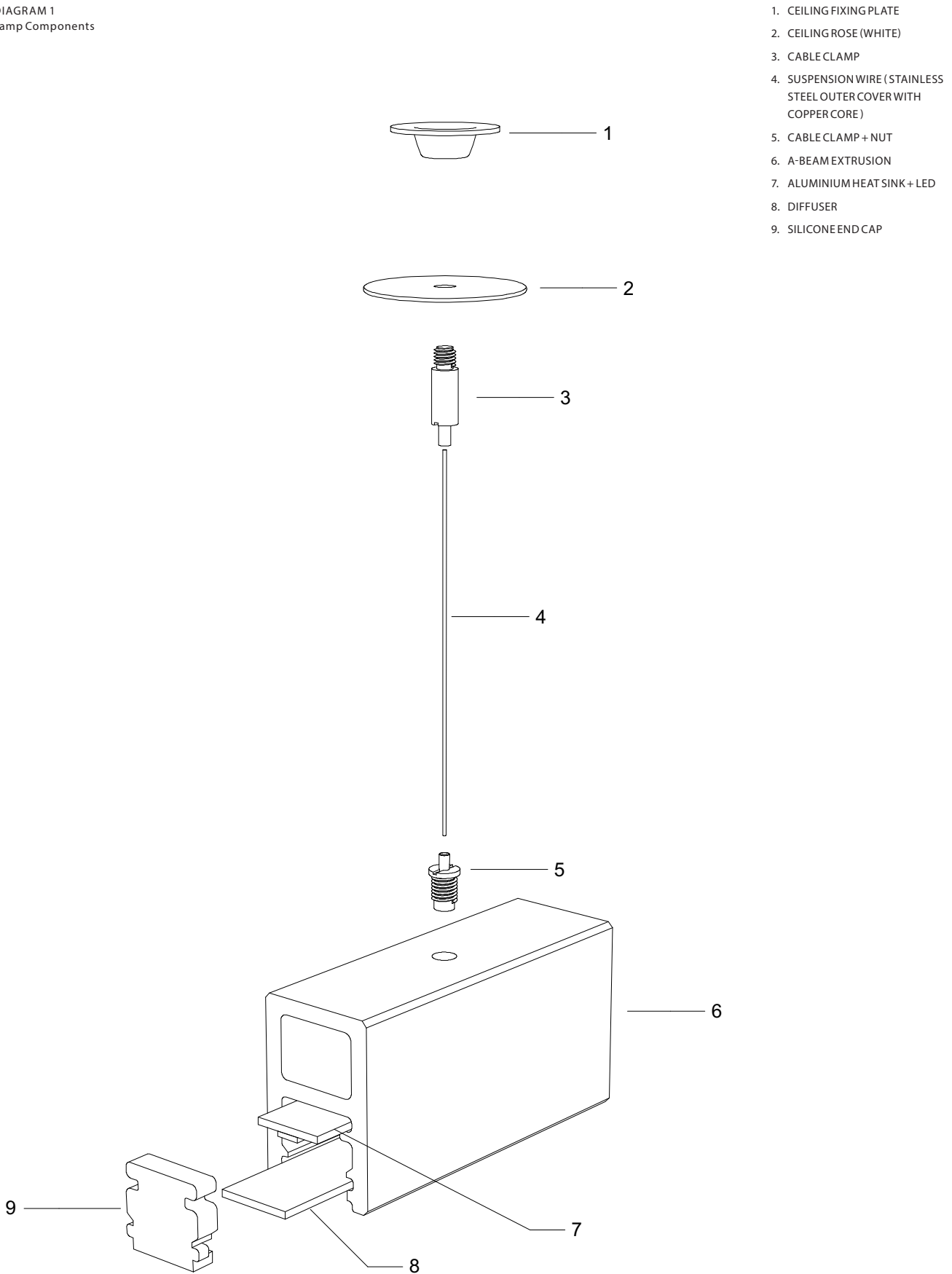
Lamp Type
12V LED 20W per meter
1185-1200 lumen per meter
2700K or 3000K colour temp



Hand & Eye Studio
Purple Studio
Old Paradise Yard
20 Carlisle Lane, London, SE17LG
T +44 (0)20 8522 0587
info@handandeyestudio.co.uk

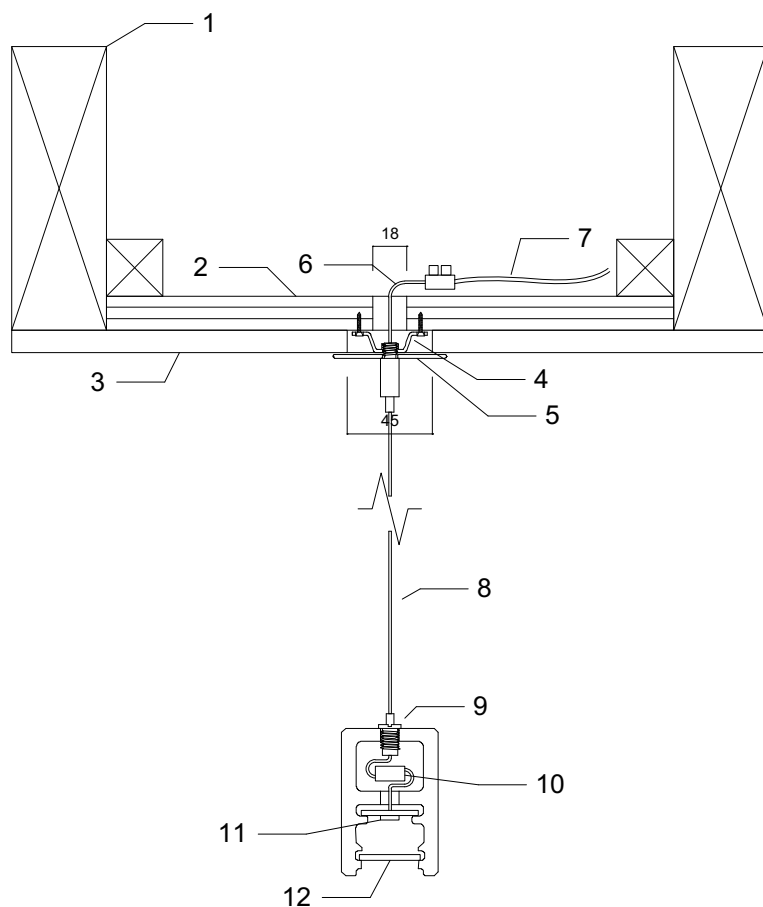
A-BEAM LIGHT

DIAGRAM 1
Lamp Components



A-BEAM LIGHT

DIAGRAM 2
Ceiling Fixing Option 1
(Remote Transformer)



1. TIMBERSTRUCTURE
2. PLYWOOD PATTRESS
3. PLASTERBOARD
4. CEILING FIXING PLATE X2
5. CEILING ROSE X2
6. SUSPENSION AND POWER CABLE X2
7. ELECTRICAL CABLE TO TRANSFORMER
8. SUSPENSION AND POWER CABLE X2
9. CABLE CLAMP
10. CONNECTOR BLOCK
11. ALUMINIUM HEAT SINK + LED
12. DIFFUSER

STEPS

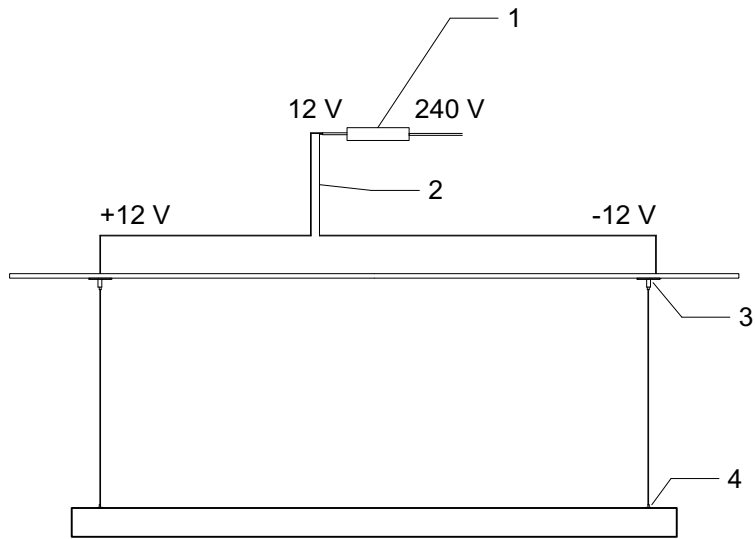
1. Add plywood patteness level with underside of timber structure as shown. Lamp suspension cable centers are 1650mm (1800 A-Beam) and 1450mm (1600 A-Beam). Drill a 15mm hole through the ply in each suspension location to centres noted above.
2. Locate an accessible cupboard / area for the transformer no more than 9 meters from the lamp. Run a positive cable from the transformer to one of the suspension points. Run a negative cable from the transformer to the other suspension point. Ensure the cables are minimum 1mm copper core cables sheathed in plastic
3. Plasterboard the ceiling and locate a hole in plasterboard of xmm to reveal the plywood and power cable.
4. Thread suspension cable through the super clamp(item X), ceiling rose (item 5) and the fixing plate (item 4). Ensure the items are not tightened together
5. Make the electrical connection between the positive / negative power supply cables and the suspension cables. To do this gently unwind and cut back the stainless steel outer layer to reveal the copper core cable. Use an electrical connector block. Push this connection through the ceiling / plywood hole.
6. Securely fix the ceiling fixing plate (item 4) to the plywood. Screw in the super clamp (item 5). The ceiling rose will cover the plasterboard cut back (max xmm).
7. Thread the suspension cable through the super clamp on the A-Beam until the lamp is at correct height and level. Use a spirit level or laser level. Cut the cable and make the connection to the led cable inside the A-Beam top section. Ensure positive cable is wired to positive (red) LED cable. If the polarity is reversed the lamp will not work.
8. Close the lamp off with the rubber end stops

Note: Positive and negative suspension cables must be isolated. Ensure no short circuit. With metal suspended ceilings ensure cables are isolated.

A-BEAM LIGHT

DIAGRAM 4

- 1. DRIVER
- 2. CABLES
- 3. PLASTERBOARD
- 4. FIXING, SEE DIAGRAM 2
- 5. FIXING, SEE DIAGRAM 2



A-BEAM LIGHT

FIXING COMPONENTS



Top:
Product Code ORM-888-0015
Thread size M8
Finish White
3 screw fixings to plywood



Top:
Product Code ORM-888-0001
Wire size 1.5mm
Max Load 50Kg
Thread Size M8



Top:
Product Code ORM-878-1001
43mmx4.5mm
Hole size 5mm
Finish White



Bottom:
Product Code ORM-878-1018
Wire size 1.5mm
Max Load 40Kg
Finish Chrome

LED INFO

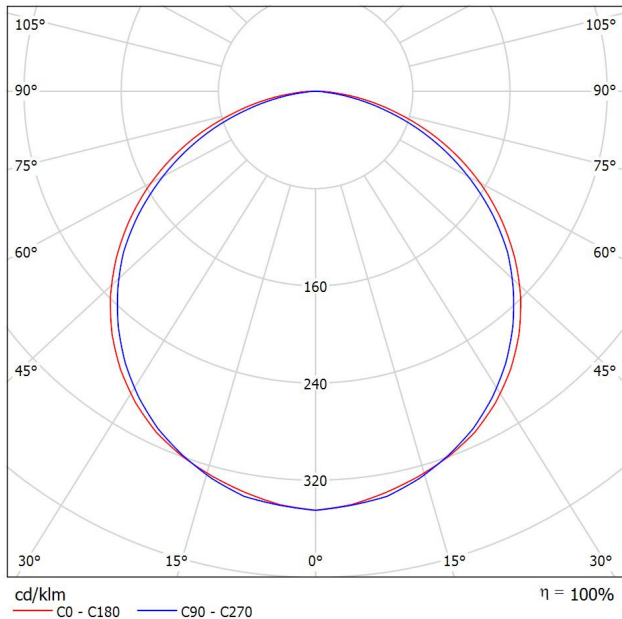


SPECIFICATIONS VERY WARM WHITE

Product Code: ATM 120-12-20-27K
 Colour Temp: 2700K
 Watts / Meter: 20W
 Voltage: 12v DC
 Number of LED / Meter: 120
 Width: 10mm
 Height: 2.2mm
 Lumen Output / Meter: 1185
 SDCM <6
 CRI: > 80 or >90 as special order

SPECIFICATIONS VERY WARM WHITE

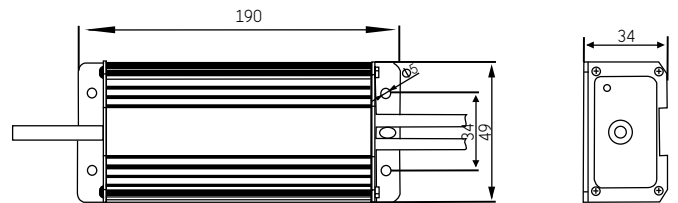
Product Code: ATM 120-12-20-30K
 Colour Temp: 3000K
 Watts / Meter: 20W
 Voltage: 12v DC
 Number of LED / Meter: 120
 Width: 10mm
 Height: 2.2mm
 Lumen Output / Meter: 1200
 SDCM <6
 CRI: > 80 or >90 as special order



Glare Evaluation According to UGR											
ρ Ceiling	70	70	50	50	30	70	70	50	50	30	
ρ Walls	50	30	50	30	30	50	30	50	30	30	
ρ Floor	20	20	20	20	20	20	20	20	20	20	
Room Size X Y	Viewing direction at right angles to lamp axis					Viewing direction parallel to lamp axis					
2H	2H	28.1	29.4	28.4	29.7	29.9	28.7	30.0	29.0	30.2	30.5
	3H	29.7	30.9	30.0	31.2	31.5	30.3	31.5	30.6	31.8	32.1
	4H	30.3	31.4	30.6	31.7	32.0	30.9	32.0	31.2	32.3	32.6
	6H	30.6	31.7	31.0	32.0	32.3	31.2	32.3	31.6	32.6	32.9
	8H	30.7	31.7	31.1	32.0	32.3	31.3	32.3	31.6	32.6	32.9
4H	2H	28.7	29.8	29.0	30.1	30.4	29.1	30.3	29.5	30.6	30.8
	3H	30.5	31.4	30.8	31.8	32.1	31.0	32.0	31.4	32.3	32.6
	4H	31.1	32.0	31.5	32.3	32.7	31.7	32.6	32.1	32.9	33.3
	6H	31.6	32.3	32.0	32.7	33.1	32.1	32.9	32.6	33.3	33.7
	8H	31.7	32.4	32.1	32.8	33.2	32.3	32.9	32.7	33.3	33.8
8H	2H	31.8	32.4	32.2	32.8	33.2	32.3	32.9	32.7	33.3	33.8
	4H	31.4	32.1	31.8	32.5	32.9	31.9	32.6	32.3	33.0	33.4
	6H	31.9	32.5	32.4	32.9	33.4	32.4	33.0	32.9	33.4	33.9
	8H	32.1	32.6	32.6	33.1	33.5	32.6	33.1	33.1	33.6	34.0
	12H	32.2	32.6	32.7	33.1	33.6	32.7	33.1	33.2	33.6	34.1
12H	4H	31.4	32.0	31.8	32.4	32.9	31.9	32.5	32.3	32.9	33.4
	6H	32.0	32.5	32.4	32.9	33.4	32.5	33.0	32.9	33.4	33.9
	8H	32.2	32.6	32.7	33.1	33.6	32.7	33.1	33.1	33.6	34.1
Variation of the observer position for the luminaire distances S											
S = 1.0H	+0.1 / -0.1					+0.1 / -0.1					
S = 1.5H	+0.2 / -0.4					+0.2 / -0.4					
S = 2.0H	+0.5 / -0.8					+0.5 / -0.7					
Standard table	BK05					BK05					
Correction Summand	12.8					13.3					
Corrected Glare Indices referring to 1850lm Total Luminous Flux											

A-BEAM LIGHT

STANDARD DRIVER



SPECIFICATIONS:

Product Code: ATM 12-45-66

Input Voltage: 90-264v AC

Output Voltage: 12v DC

Output Type: CV

Cold Start Current: 36A

Maximum load: 36W

IP Rating: 67

Tolerance: -0.05

Efficiency at 20C: 83%

Overload protect: Auto Reset

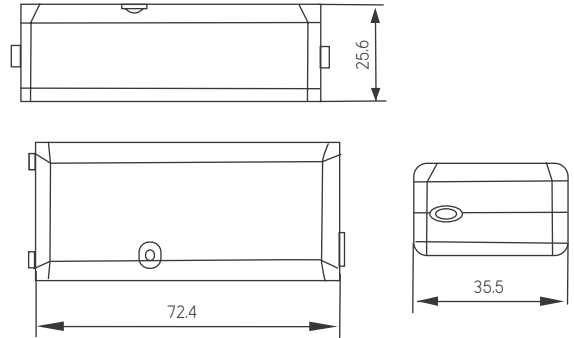
Dimmable: NO

Cooling: Free Air Convection

Dimensions 190x49x34mm

Warrenty: 2 Years

DIMMABLE DRIVER



SPECIFICATIONS:

Product Code: ATM-MDP50W

Input Voltage: 0-250v

Output Voltage: 12v DC

Output Type: CV

Cold Start Current: 15A

Maximum load: 48W

IP Rating: 48W

Efficiency at 20C: 82%

Overload protect: Auto Reset

Dimmable: YES

Cooling: Free Air Convection

Dimensions Driver 120 x 40 x 30mm / Converter 75 x 40 x 30mm

Warrenty: 2 Years
