
BLOW UP GLASS PENDANT

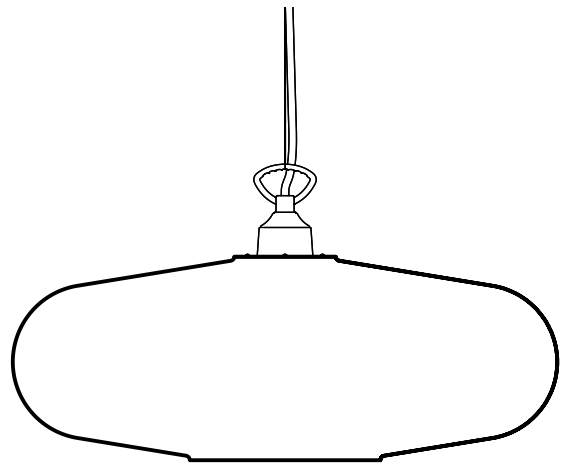
Design by
Thomas Housden

Dimensions
Ø36cm, h15cm

Weight
2KG

Lamp Type
Max 60W Edison screw

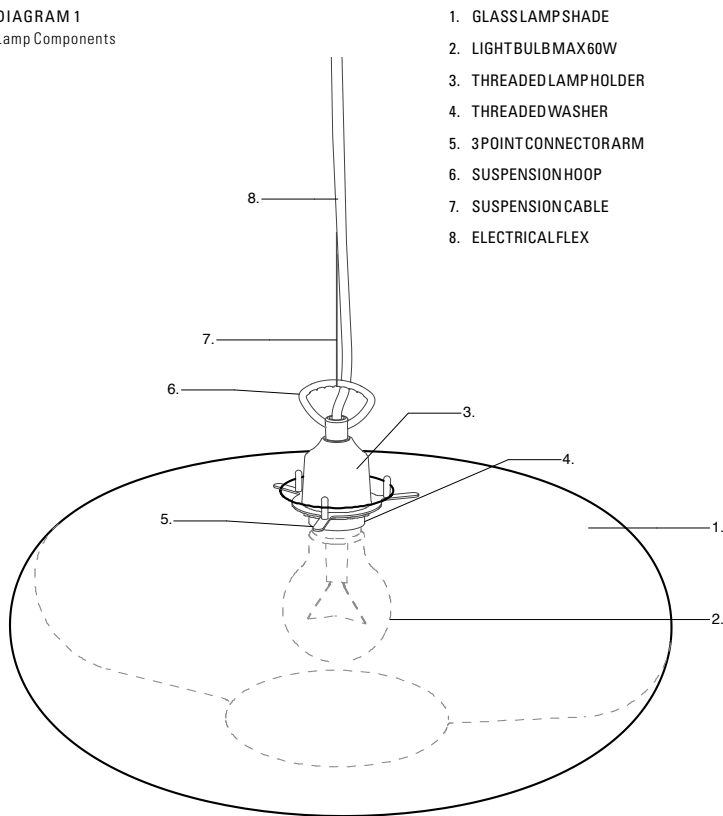
Wiring Standard
EU 9001



Hand & Eye Studio
37 Stewart Road
London, E15 2BA
T +44 (0)20 8522 0587
info@handandeyestudio.co.uk

BLOW UP GLASS PENDANT

DIAGRAM 1
Lamp Components



1. GLASS LAMP SHADE
2. LIGHT BULB MAX 60W
3. THREADED LAMP HOLDER
4. THREADED WASHER
5. 3 POINT CONNECTOR ARM
6. SUSPENSION HOOP
7. SUSPENSION CABLE
8. ELECTRICAL FLEX

1 Remove item (5) from the lamp assembly to allow it to be positioned in the small opening at the top of the glass lamp shade (1).

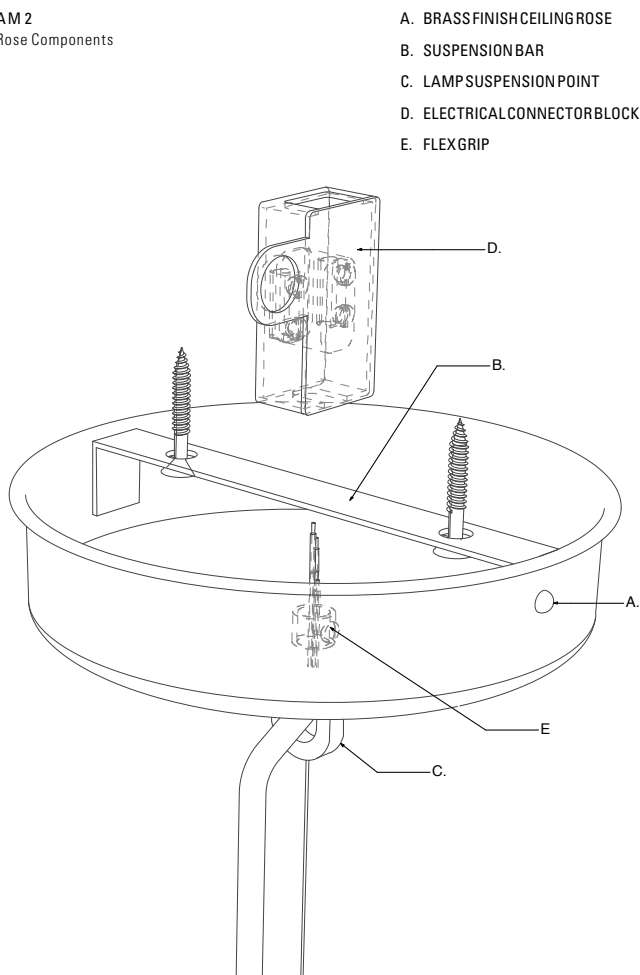
2 Carefully insert the lamp holder (3) from above into item (5). Fasten with the threaded washer (4) from below to secure. The glass lamp shade should now be able to be lifted from the suspension hoop (6). Please note that the lamp holder assembly is not mechanically fixed to the glass so take care not to allow fitting to come loose when lifting glass.

3 Before hanging the lamp ensure that a suitable ceiling substrate is available from which to hang the lamp and also that an electrical supply is already in place. We strongly recommend the use of a qualified electrician. To secure the lamp fix the suspension bar (B) to the ceiling. The screws are not supplied as this depends on the type of ceiling. For plasterboard ceilings we recommend heavy duty plasterboard screws or standard screws if fixing in to a timber substrate.

4 Connect the flex to the mains electric supply using the electrical connector block (D) ensuring that the live, neutral and earth cables are connected to the corresponding cables. Ensure that the flex has been cut to the correct length at this stage. The flex should be marginally longer than the final required height as the weight of the glass must hang off the suspension cable (7). Please consult a professional electrician and ensure all mains power is turned off before attempting.

5 Now connect the brass finish ceiling rose cover (A) to the suspension bar (B) using the small screw on the side of the ceiling rose (D). This operation is best done with two people. One to hold the lamp and the other to secure the ceiling rose. The glass lamp can now be suspended from the suspension wire. It is important that the lamp hangs from the wire and not the flex.

DIAGRAM 2
Ceiling Rose Components



- A. BRASS FINISH CEILING ROSE
- B. SUSPENSION BAR
- C. LAMP SUSPENSION POINT
- D. ELECTRICAL CONNECTOR BLOCK
- E. FLEX GRIP

DIAGRAM 1
Point 1

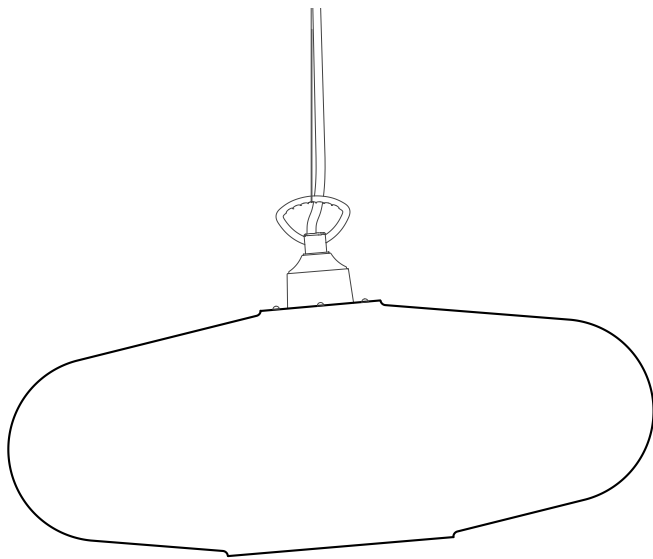
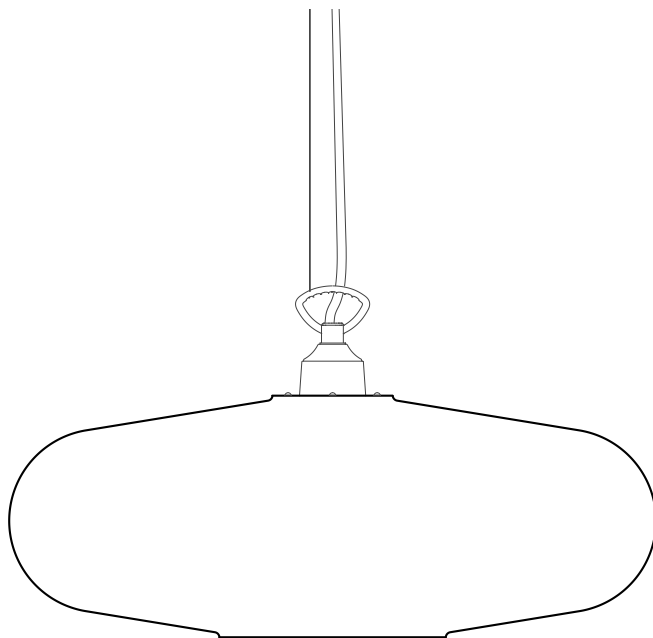


DIAGRAM 2
Point 2 & 3



BALANCING THE LAMP

Because the Blow Up lamp is mouth blown the thickness of the glass may vary from one side of the lamp to the other. This may result in the lamp leaning slightly to one side. To balance the lamp follow these simple steps.

1 Setting direction of suspension hoop

Ensure the suspension wire is located in the centre of the suspension hoop (6). Now twist the suspension point so that it aligns with the direction of lean of the lamp. The hoop at the top of the lamp should now point towards the direction of lean. This will make the lamp be at its most off balance. If the suspension hoop will not twist slightly undo item (4) to allow the suspension hoop to twist direction.

2 Adjusting suspension wire position

If the lamp leans to the left then the suspension wire should then be moved to the left on the suspension hoop notches. If it leans to the right then move the wire to the right hand side. This will counteract the lean of the lamp. The suspension hoop has 3 ridges to the left and right of the central position. Chose the position that gets the lamp to the most horizontal position.

3 Final balancing adjustments

Now step back and look at the lamp from a distance. The lamp should be more balanced but if it still leans you can further adjust the balancing. Move the suspension wire one notch further over to over compensate for the original lean. Then twist the suspension hoop clockwise or counter clockwise to make finer adjustments. Do this in small steps. If the suspension hoop will not rotate simply slightly loosen item (4). The adjustment of the lamp will require small tweaks to get to the optimum position.
