
UPDOWN PENDANT

Design by

Thomas Housden

Material & Style

Earthenware & Opal Glass

Dimensions & Weight

Ø14cm, h21cm, weight 1.8kg

Lamp Type & Wattage

E27 Light Bulb 12W LED (not included)

USA E26 12W LED (not included)

Dimmable

IP

IP20

Wiring Standard

EN 60598

Hand & Eye Studio

Purple Studio

Old Paradise Yard

20 Carlisle Lane

London

SE17LG

T +44 (0)1252 715646

info@handandeyestudio.co.uk

SAFETY NOTES



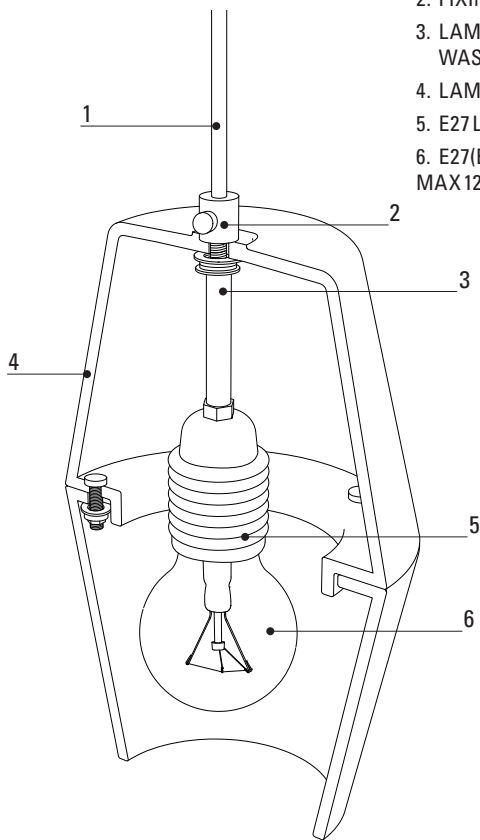
1 During installation:

- Please read the instructions before assembly or installation
- Be sure to use a suitably qualified person for installation as the lights require connecting to mains power
- Make sure mains power is off during installation
- Make sure that the light is securely hung from the ceiling and that there is a suitable substrate for this.
- When attaching the ceiling rose ensure you are working from a safe platform or ladder
- Make sure the weight is not being taken by the junction box by using cable grip.

2 Once installed:

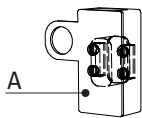
- Do NOT use a lightbulb of more than **MAX 12W**.
 - We recommend an opal bulb.
 - Take care with the ceramic shade and glass as this can break if hit hard enough. We recommend installing the lamp above furniture such as tables or island units or above head height.
 - If at any point your lightbulb breaks then, as with any light, do not touch the filament/LED part unless the power is turned off
 - Always turn off the power before changing a lightbulb.
-

DIAGRAM 1
Lamp Components

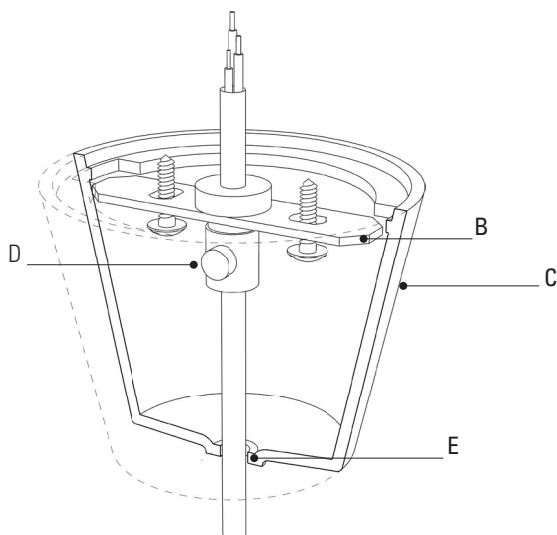


1. ELECTRIC FLEX WITH WOVEN FABRIC SHEATHING
2. FIXING TOP SCREW
3. LAMP HOLDER POLE & WASHERS
4. LAMP SHADE
5. E27 LAMP HOLDER (E26 USA)
6. E27 (E26 USA) LIGHT BULB MAX 12W LED (NOT SUPPLIED)

DIAGRAM 2
Ceiling Rose Components



- A. ELECTRICAL JUNCTION BOX
- B. FIXING PLATE
- C. CEILING ROSE
- D. CABLE GRIP
- E. ELECTRIC FLEX WITH WOVEN FABRIC SHEATHING



1 Ensure all the provided components are fitted to the lamp in accordance with diagram 1: Thread the flex (1) and the lamp holder assembly through the hole at the top of the lamp (4). Ensure the metal washer (3) is below one or two of the rubber washers (depending on the thickness of the ceramic). Then gently thread item 2 over the flex. Carefully thread this tight and take care not to twist the fabric sheathing of the flex (1). Tighten allen key head on side of Fixing Top Screw (2).

2 Cut the flex (1) to the desired hanging length. Ensure the fabric sheathing has been taped after cutting to prevent fraying. Ensure the sheathing is not slack on the flex. Ensure electric cables have been suitably prepared. We recommend this work is performed by a qualified electrician.

3 Now that the lamp is assembled assess the ceiling fixing point. The lamp should be hung from a suitable substrate. The screw fixing is not provided and must be selected to suit the ceiling build up. We suggest a fixing that allows the flex to be hooked on to the end of a metal hook using the provided S-hook (B).

4 Thread the flex (E) through the ceiling rose (D) and the middle hole of the fixing plate (C). Then fit the S-Hook (B) on to the flex towards the top.


5 Now that the lamp is assembled and ready to make the connection to the mains electrics check and ensure the power supply is switched OFF at the mains.



6 Now connect the lamp flex (E) to the mains electric cables using the connector block (A). The connector block (A) can be fixed to the ceiling if required. Make sure that the weight of the light is being taken by the Hook and NOT the electrical connection or ceiling rose!

7 Secure the Fixing plate (B) to the ceiling using two small screws. Suitable screw should be selected depending on the substrate. Tighten the cable grip (d) underneath the fixing plate to hold the flex in place. Push the ceiling rose (C) over the fixing plate (B) and twist the ceiling rose so that the fixing plate (B) will take the weight of it. No weight should be supported off the ceiling rose as this only acts to cover cables behind. The ceiling rose will not cover an existing plastic / metal ceiling rose. This will need to be removed.

6 Fit a screw in bulb to the lamp holder (5) making sure not to apply a sideways force on the pole (3). Ensure the use of Max 12W LED Light Bulb. See website product info for light bulb recommendations.

I Hand & Eye II Updown

 This luminaire is compatible with bulbs of the energy classes:

 } 

874/2012 