
A-BEAM LIGHT

Design By

Thomas Housden

Material & Finish

Ceramic Extrusion & Silicone Caps

Raw Terracotta

Dimensions & Weight

L1600 H77mm W51mm

9 KG

Lamp Type & Wattage

12V DC LED 20W per metre

1284 - 1345 lumen per metre

2700K or 3000K colour temp

IP Rating

IP40



Hand & Eye Studio

Purple Studio
Old Paradise Yard
20 Carlisle Lane
London
SE17LG

T +44 (0)1252 715646

info@handandeyestudio.co.uk

SAFETY NOTES



-
- 1 Please read these instructions carefully before commencing assembly and installation
 - 2 We recommend the use of a professional trades person with suitable qualifications for the installation of electrical lamps
 - 3 Two people are required for the safe installation of the A-Beam lamp
 - 4 Products with electronic ballast / drivers must not be installed on the same electrical circuit as products with inductive loads, for example magnetic fluorescent luminaries, motors or ventilators. Inductive loads can generate excessive voltage surges and can damage electronic ballasts
 - 5 Ensure that negative and positive wires are isolated at all times. Metal ceiling grids / trays will short circuit the lamp.

Ensure correct connection of cables (positive / negative). the led will not work if polarity is reversed.

LIVE: Normally Brown / Red
NEUTRAL: Normally Blue / Black
Earth: Normally Green / Yellow
 - 6 This lamp is made of terracotta. Caution should be taken not to hit the lamp with heavy objects that could cause the ceramic to break. The lamp has a bonded aluminium core to prevent structural failure. Sharp parts and fragments may crack off the lamp in the event of impact.

ALWAYS HANDLE WITH CARE!
 - 7 Always use this lamp either above a table / work surface or at a height above head height. The lamp is solid and heavy so the possibility to walk into the lamp should be avoided. The clamps make it easy to adjust the height of the lamp from floor level.
 - 8 Do not hang off the lamp or lean on the lamp to avoid adding weight to the lamp and suspension system. The lamp is designed to take 40kg per suspension cable but the fixing to the ceiling load capacity will depend on the installation and is not designed to support excessive loading.
-

DIAGRAM 1
Lamp Components

1. CEILING FIXING PLATE X2
2. CEILING ROSE (WHITE) X2
3. CABLE CLAMP X2
4. POWERED SUSPENSION WIRE 2M X2
(STAINLESS STEEL OUTER COVER WITH COPPER CORE)
5. CABLE CLAMP + NUT X2
6. A-BEAM EXTRUSION X1
7. ALUMINIUM HEAT SINK + LED X1
8. DIFFUSER X1
9. SILICONE END CAP X2

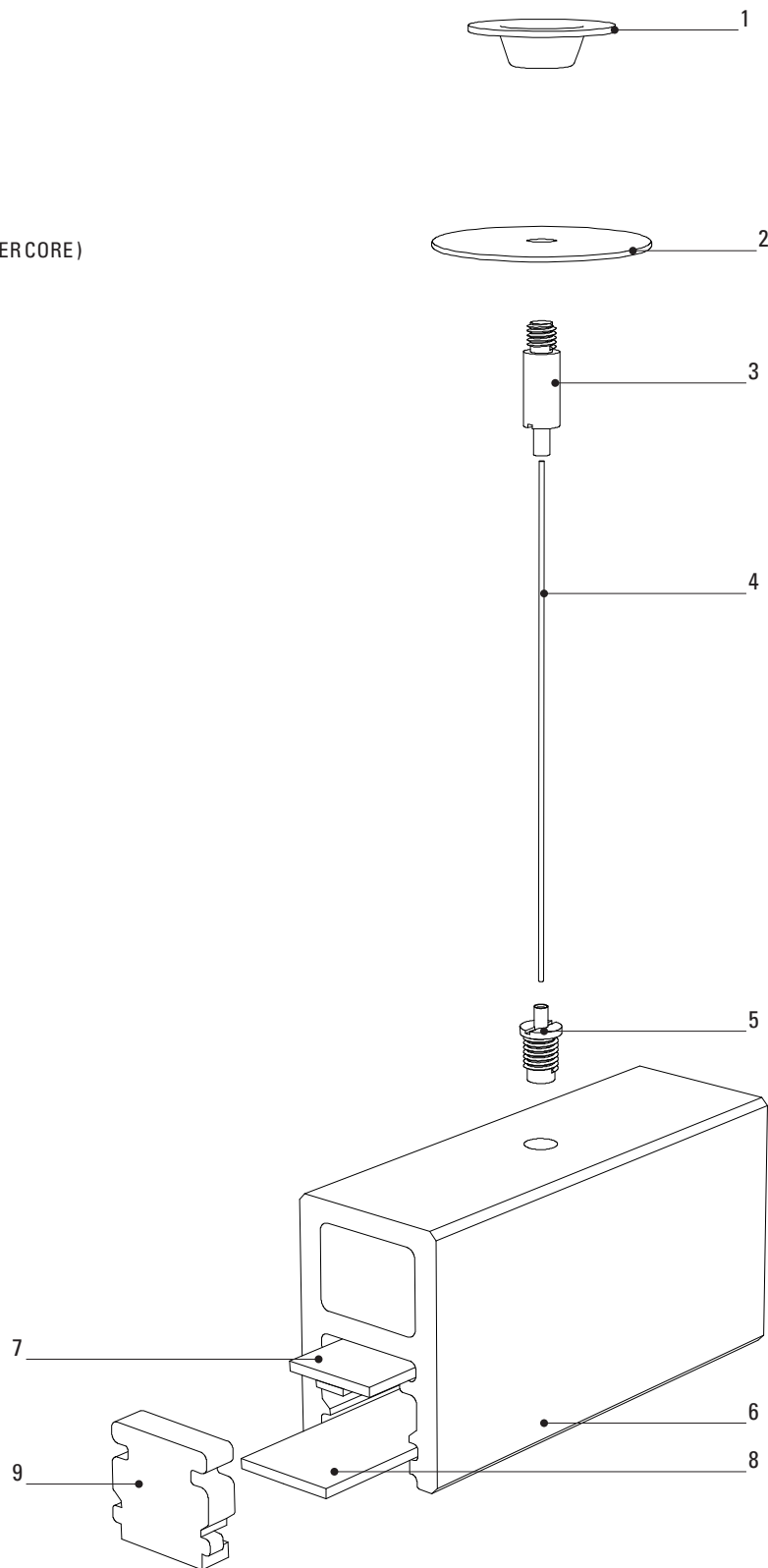


DIAGRAM 2
Wiring Diagram

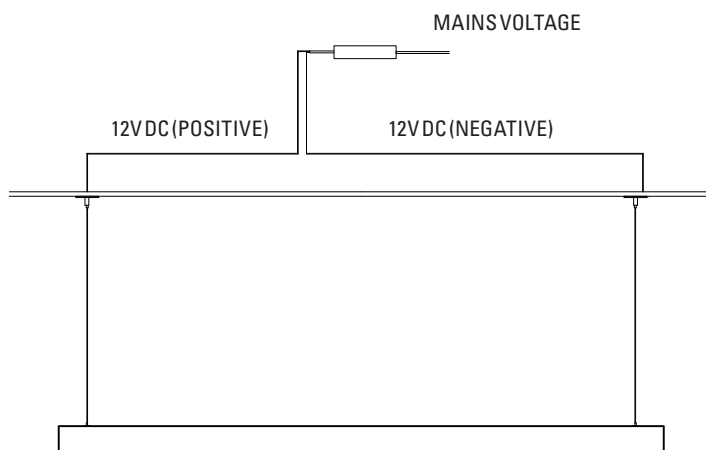
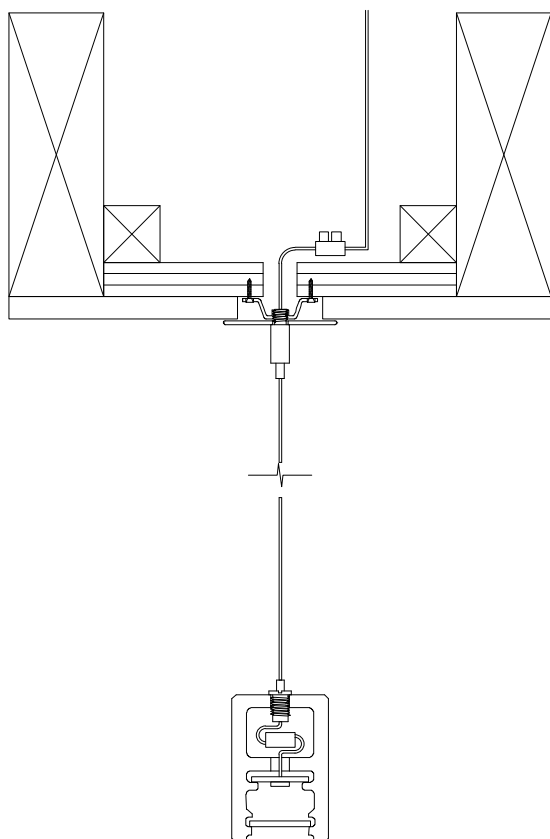


DIAGRAM 2
Ceiling Rose Components



1 TURN OFF POWER AT THE MAIN FUSEBOARD

2 ENSURE SUITABLE CEILING SUBSTRATE

- Suspended ceiling applications to have plywood pattress installed suitable to provide secure fixing point suitable for weight of lamp.

3 CEILING FITTING SEQUENCE

- Connect transformer supplied to mains electrics and run a positive feed and negative feed to the required locations for suspension. Lamp suspension cable centres are 1450mm (1600 A-Beam). Transformer to be located Max 10 meters from light source. Ensure Min 1mm copper cable runs from transformer. Note this should be done prior to installing the ceiling!
- Thread Cable (4) through cable clamp (3), ceiling rose (2) and ceiling fixing plate.
- Cut cable (4) to reveal inner copper core and make connection to negative or positive 12V DC supply (see diagram 1) using connector block. Ensure negative and positive 12V DC feeds remain isolated at ALL times.
- Secure fixing plate to plywood pattress using suitable timber screws (not supplied) and thread cable clamp in to ceiling fixing plate. The ceiling rose clamped between will hide the cable hole. Repeat for both cable drops.

4 A-BEAM FITTING SEQUENCE

(Min 2 people task)

- Thread cable 4 through the cable clamp (5). Do this to both sides of the lamp with the A-Beam securely placed on a flat surface. This task requires 2 people
- Ensure negative feed is taken to negative LED wire and positive feed is taken to positive LED wire. The lamp will not work if the polarity is reversed.
- One person to hold the A-beam at desired height. Then adjust the wire through the clamps on the A-Beam (5). When height is confirmed cut the excess cable and expose the copper core. Connect to LED tails with connector block provided. Push cable and block in to top hole in A-Beam to conceal.

FIXING COMPONENTS



Item 1
Product Code ORM-888-0015
Thread size M8
3 screw fixings to plywood
(screws not provided)



Item 2
Product Code WASH-01
50mm
Hole size 8mm



Item 3
Product Code ORM-888-0001
Wire size 1.5mm
Max Load 50Kg
Thread Size M8



Item 5
Product Code ORM-878-1018
Wire size 1.5mm
Max Load 40Kg
Thread Size M8

LED INFO

