

---

# BLOW UP PENDANT

---

---

**Design by**  
Thomas Housden

---

**Material**  
Opal Glass & Aged Brass Fittings

---

**Dimensions & Weight**  
Ø360mm H 150mm  
2.5Kg

---

**Lamp Type & Wattage**  
E27 lamp Max 15W LED Bulb (not included)  
Dimmable

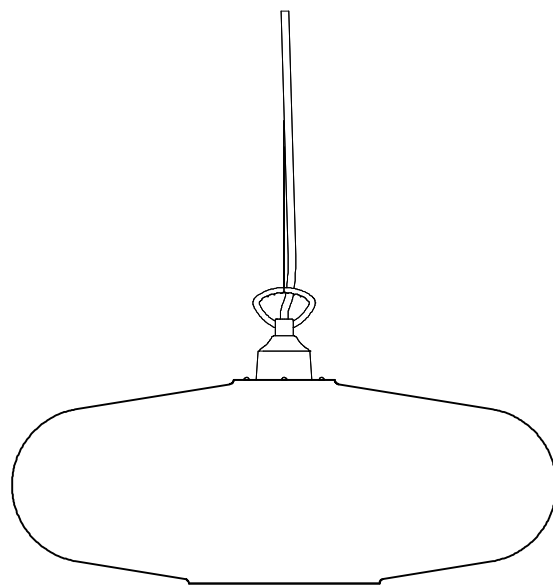
---

**IP**  
IP20

---

**Wiring Standard**  
EN 60598

---



---

Hand & Eye Studio  
Purple Studio  
Old Paradise Yard  
20 Carlisle Lane  
London  
SE17LG

T +44 (0)1252 715646  
info@handandeyestudio.co.uk

---

---

# SAFETY NOTES

---



---

## 1 During installation:

- Please read the instructions before assembly or installation.
- Be sure to use a suitably qualified person for installation as the lights require connecting to mains power
- Make sure mains power is off during installation
- Make sure that the light is securely hung from the ceiling and that there is a suitable substrate for this. The weight of the lamp needs to be taken by the wire not the electrical flex and the weight should not be taken by the junction of the mains and light flexes.
- When attaching the ceiling rose ensure you are working from a safe platform or ladder

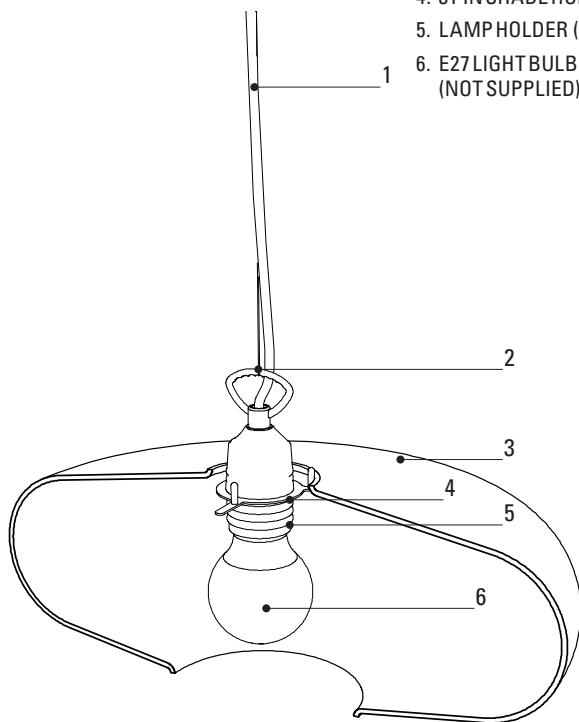
---

## 2 Once installed:

- Do NOT use a lightbulb of more than 15W for the Blow Up light.
  - We strongly recommend using an LED lightbulb and we recommend an opal bulb.
  - Take care with the glass shade as this can break if hit hard enough
  - If at any point your lightbulb breaks then, as with any light, do not touch the filament/LED part unless the power is turned off
  - Always turn off the power before changing a lightbulb
-

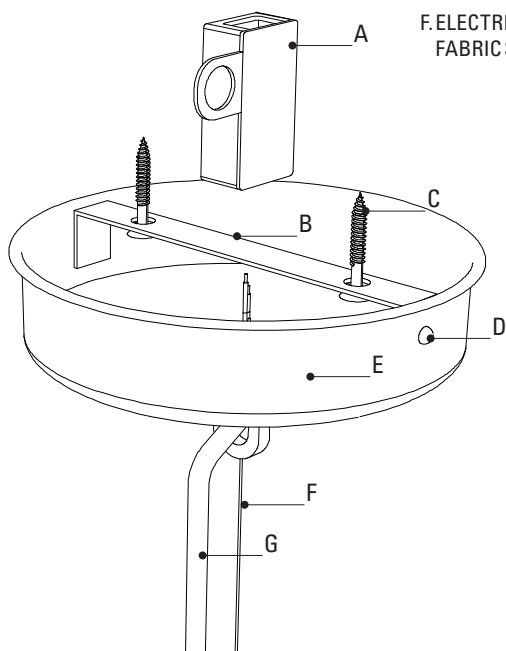
**DIAGRAM 1**  
Lamp Components

1. ELECTRIC FLEX WITH WOVEN FABRIC SHEATHING
2. SUSPENSION HOOK & WIRE
3. LAMP SHADE
4. 3 PIN SHADE HOLDER
5. LAMP HOLDER (E27)
6. E27 LIGHT BULB MAX 15W (NOT SUPPLIED)



**DIAGRAM 2**  
Ceiling Rose Components

- A. JUNCTION BOX
- B. CEILING FIXING PLATE
- C. CEILING ROSE SCREWS (not supplied)
- D. SIDE FIXING SCREWS
- E. SUSPENSION CABLE
- F. ELECTRIC FLEX WITH WOVEN FABRIC SHEATHING



1 Fix the ceiling rose fixing plate (B) to the ceiling using suitable screws. Then make sure the cable length is as desired. Shorten to correct length (professional electrician). Connect the lamp holder flex (1) to the mains supply (ensure power is turned off) using the connector block (A). Fit the ceiling rose cover over the connection and secure with the side screw fixings (D). The rose should now be secured to the ceiling.

2 Now shorten the suspension cable so that no weight is taken by the electrical flex (1). A simple screw fixing allows the metal cable to be shortened. Cut off excess cable only after checking and confirming the height is correct. Use suitable cable cutters to ensure a neat cut. If the cable becomes frayed note that this can be sharp. The lamp holder and flex should now be hanging off the suspension cable to the desired length.

3 Now take the 3 pin shade holder (4) and insert in to the glass shade (3) at the top. The 3 pins can be adjusted to allow for rebalancing of the lamp. Start with all pins adjusted equally so the 3 pin part sits centrally in the shade. Do not let the 3 pin component drop out on to the glass as this can damage the glass. Hold in place until step 4 is completed.

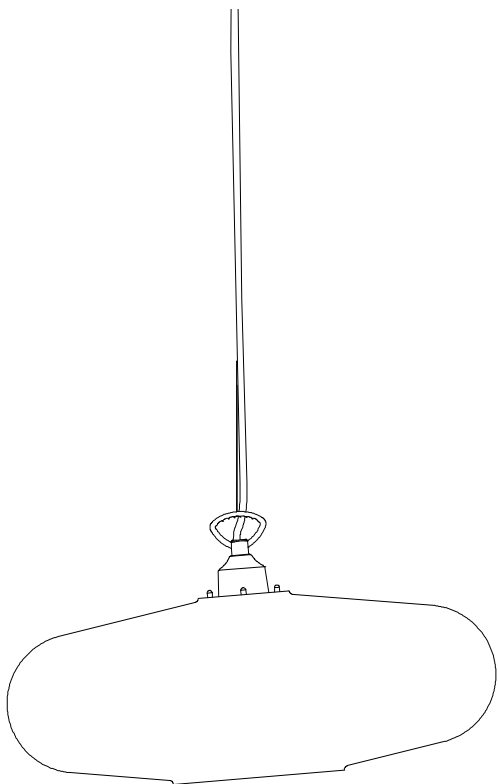
4 To hang the glass remove the threaded ring at the bottom of the lamp holder. Now insert the lamp holder (5) in to the 3 pin shade holder from the top. This is a two person task. Then fit the threaded ring back on to the lamp holder (5) from below. The lamp should now hang from the suspension cable.

5 Now fit the LED Max 15W light bulb. We strongly recommend an opal light bulb to prevent the filament / LED casting a shadow.

6 The lamp may not be hanging straight. To adjust the hanging position see instructions on next page

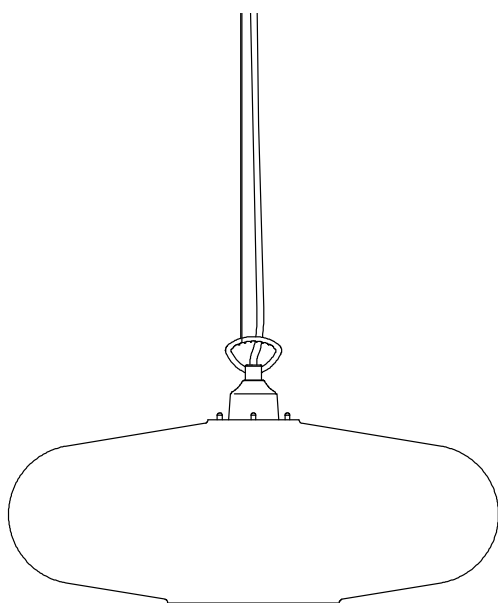
---

**DIAGRAM 1**  
Off Balance Lamp



---

**DIAGRAM 2**  
Balanced lamp



---

#### BALANCING THE LAMP

Because the Blow Up lamp is mouth blown the thickness of the glass may vary from one side of the lamp to the other. This may result in the lamp leaning slightly to one side. To balance the lamp follow these simple steps.

---

##### 1 Setting direction of suspension hoop

Ensure the wire is located in the centre of the suspension hook (2). Now twist the hook so that it is perpendicular with the direction of the lean of the lamp. This will make the lamp be at its most off balance.

---

##### 2 Adjusting suspension wire position

Now move the suspension wire in the direction of the lean along the notches on the suspension hook (4). Keep moving the suspension wire along until the lamp is either balanced or has over corrected.

---

##### 3 Final balancing adjustments


If the lamp has over corrected the suspension hook can be twisted in small increments as this bring the lamp back towards the original lean. Further adjustments can be made by changing the position of the 3 pin shade holder (4) to take account of any imbalance.

---

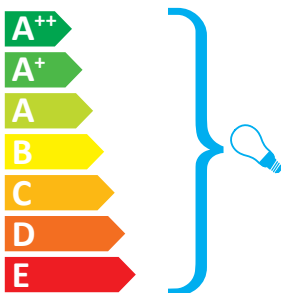
##### 4 Repeat the process until the lamp is as equally balanced from all points of view.

---

Hand&Eye II Blow Up

 This luminaire is compatible with bulbs of the energy classes:

A<sup>++</sup>  
A<sup>+</sup>  
A  
B  
C  
D  
E



874/2012 