
FUJI

Design By

Thomas Housden

Material & Finish

Ceramic & Silicone

Fuji Terracotta: Terracotta & white glaze

Fuji Colour: Ceramic & engobe in duck egg, mint, pigeon, coral colour

Dimensions & Weight

H 200 Ø 350

1.6KG

Lamp Type & Wattage

E27 lamp Max 12W LED Bulb (not included)

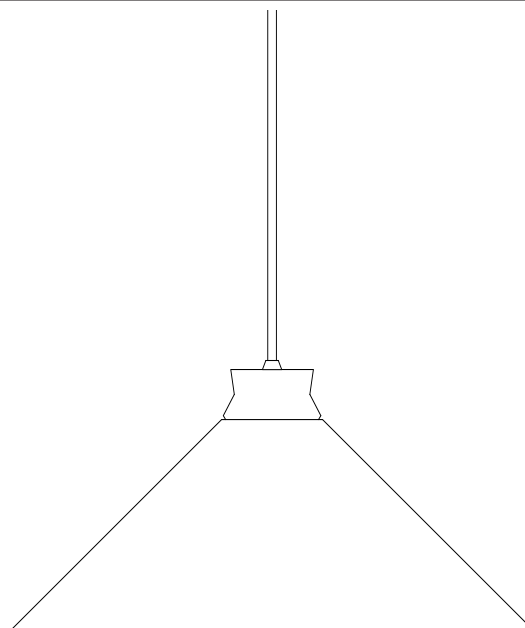
Dimmable

IP Rating

IP20

Wiring Standard

EN 60598



Hand & Eye Studio

Purple Studio

Old Paradise Yard

20 Carlisle Lane

London

SE17LG

T +44 (0)1252 715646

info@handandeyestudio.co.uk

SAFETY NOTES



1 During installation:

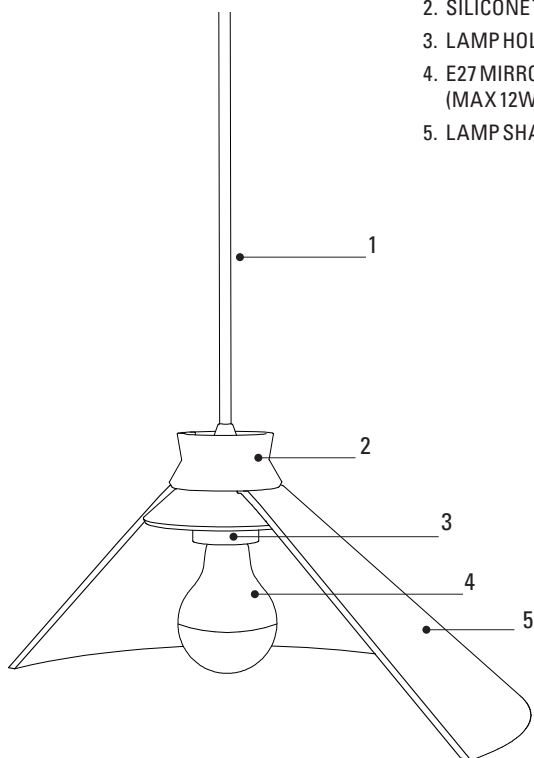
- Please read the instructions before assembly or installation.
- Be sure to use a suitably qualified person for installation as the lights require connecting to mains power
- Make sure mains power is off during installation
- Make sure that the light is securely hung from the ceiling and that there is a suitable substrate for this. The electrical flex is able to take the weight of the lamp without any additional support wire but the weight should not be taken by the junction of the mains and light flexes.
- When attaching the ceiling rose do NOT use an electric screwdriver as this makes the rose more likely to crack

2 Once installed:

- Do NOT use a lightbulb of more than 12W for the Fuji light.
 - We strongly recommend using an LED lightbulb.
 - Take care with the ceramic shades as ceramic can break if hit hard enough
 - If at any point your lightbulb breaks then, as with any light, do not touch the filament/LED part unless the power is turned off
 - Always turn off the power before changing a lightbulb
-

DIAGRAM 1
Lamp Components

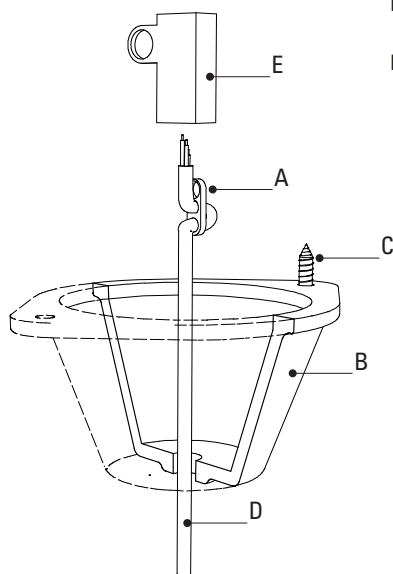
1. ELECTRIC FLEX WITH WOVEN FABRIC SHEATHING
2. SILICONE TOP
3. LAMP HOLDER (E27)
4. E27 MIRRORED LIGHT BULB (MAX 12W NOT INCLUDED)
5. LAMP SHADE




- 1 Thread the flex (1) through the silicone top (2) of the pendant until the lampholder (3) sits in the silicone.
- 2 Ensure the flex is threaded through the ceiling rose before securing. Now that the lamp is assembled and ready to hang, assess the ceiling fixing point. The lamp should be hung from a suitable substrate. The screw fixing is not provided and must be selected to suit the ceiling build up. We suggest a fixing that allows the 'S' hook to be attached to a ceiling hook. We strongly recommend the use of a professional electrician or tradesman.
- 3 Ensure all electricity is turned off at the mains switchboard. Now connect the lamp flex (D) to the mains electric cables using the connector block (E). The connector block (E) can be fixed to the ceiling if required or tucked behind the plasterboard. Make sure the 'S' hook takes the weight of the lamp and not the electrical connection block.
- 4 Place the ceiling rose (B) over the junction box (E) and secure it to the ceiling using two small screws (C). Do not use an electric drill when attaching the ceiling rose as this may crack it. No weight should be supported off the ceiling rose as this only covers the cables behind. The ceiling rose will not cover an existing plastic / metal ceiling rose. This will need to be removed. The 'S' hook (A) behind the ceiling rose can be used to set the flex length.
- 5 Fit an E27 light bulb (5) to the lamp holder (7). We recommend using a mirrored LED bulbs. No more than a 12W LED light bulb should be used.

DIAGRAM 2
Ceiling Rose Components


- A. 'S' HOOK
- B. CEILING ROSE
- C. CEILING ROSE SCREWS (not supplied)
- D. ELECTRICAL FLEX WITH FABRIC SHEATHING
- E. ELECTRICAL JUNCTION BOX




Hand&Eye II Fuji

 This luminaire is compatible with bulbs of the energy classes:

A⁺⁺
A⁺
A
B
C
D
E



874/2012 

The image shows a blue-bordered box containing energy class information. At the top, it reads 'Hand&Eye II Fuji'. Below this, there is a blue square icon of a lamp. To the right of the icon, the text states: 'This luminaire is compatible with bulbs of the energy classes:'. Below the text is a vertical list of energy classes represented by colored arrows pointing right: A⁺⁺ (dark green), A⁺ (medium green), A (light green), B (yellow), C (orange), D (dark orange), and E (red). To the right of this list is a blue bracket that encompasses the A⁺⁺, A⁺, and A classes, with a small light bulb icon to its right. At the bottom left of the box is the text '874/2012' and at the bottom right is the European Union flag.