

---

# GOOSEBERRY WALL LIGHT

---

---

**Design by**

Thomas Housden

---

**Material & Style**

Shade: raw terracotta or terracotta with a white glaze

Back Mount: silicone

---

**Dimensions & Weight**

H130mm, Ø 80mm

620g

---

**Lamp Type & Wattage**

2 x Integrated 5W LED, 230V mains connected

2700K

Not suitable for surface mounted conduit electrical distribution

---

**IP**

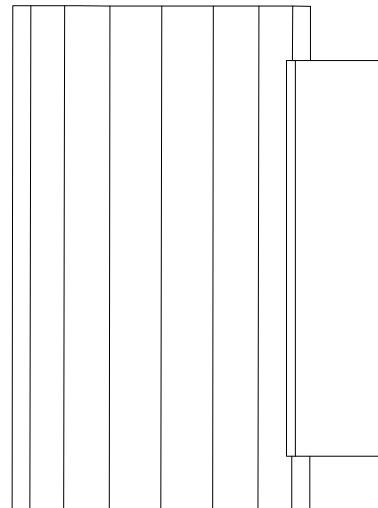
IP20

---

**Certification**

CE 60598

---



---

**Hand & Eye Studio**

Purple Studio  
Old Paradise Yard  
20 Carlisle Lane  
London  
SE17LG

T +44 (0)1252 715646

info@handandeyestudio.co.uk

---

---

# SAFETY NOTES

---



---

## 1 Installation:

- Please read the instructions carefully before assembly and installation
- Make sure mains power is OFF during installation
- Be sure to use a suitably qualified person for installation as the lights require connecting to mains power
- Note the integrated LED modules are 230V mains connected units (with no transformer)
- Make sure the wall is suitably prepared to ensure a solid fixing method and substrate
- When working at height always ensure you are working from a safe platform
- The ceramic shades are breakable and should be treated suitably.
- If broken take care to remove carefully from site
- Do NOT remove the lens cap from the LED module
- Do NOT touch the LED module when turned on if the lens cap has been removed or broken (230V)
- Do NOT disassemble the LED module from the heatsink
- Do NOT bring the lamp in contact with water or locate the lamp in a wet location

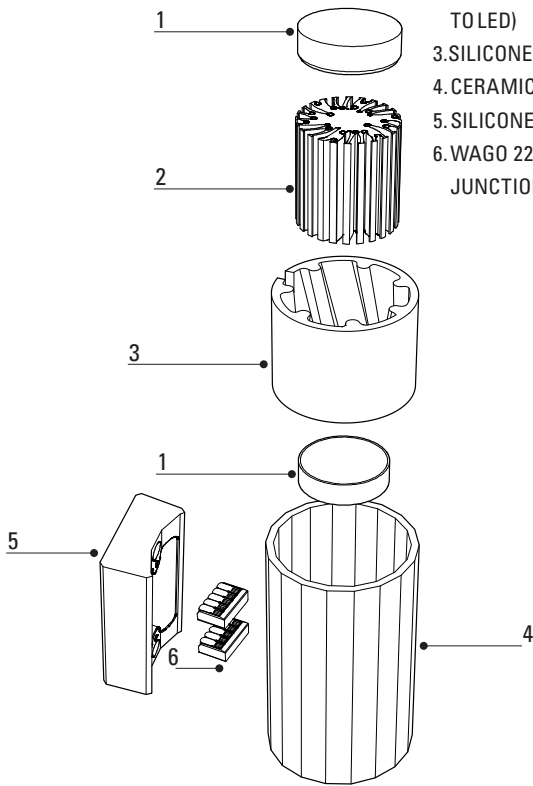
---

## 2 Once installed:

- Do NOT remove the lens cap from the LED module
  - Do NOT touch the LED module when turned on if the lens cap has been removed or broken (230V)
  - Do NOT disassemble the LED module from the heatsink
  - Do NOT bring the lamp in contact with water or locate the lamp in a wet location
  - For LED module replacements contact Hand & Eye
-

**DIAGRAM 1**  
Lamp Components

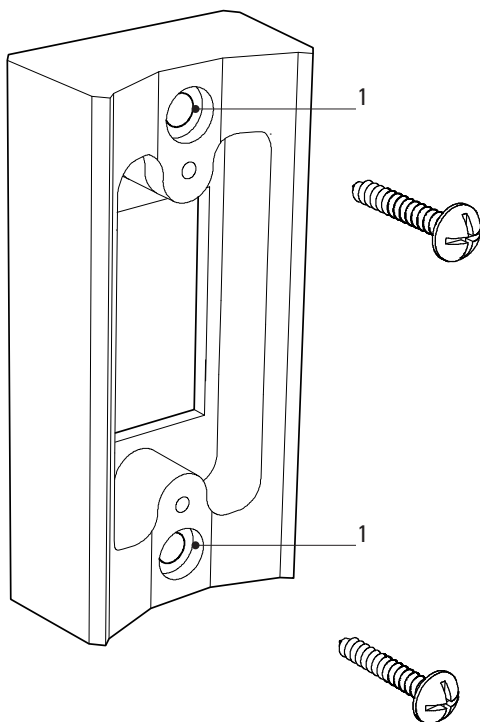
1. LED AND LENS CAP (230V MAINS CONNECTED)
2. HEAT SINK (PRE-SCREWED TO LED)
3. SILICONE LIGHT WRAP
4. CERAMIC SHADE
5. SILICONE WALL PLATE
6. WAGO 221 ELECTRICAL JUNCTION BOX



The Gooseberry Wall Light comes pre-assembled with components 1, 2, 3 in item 4. Items 5 & 6 need to be fitted to the wall and connected to the lamp following the below simple steps.

**DIAGRAM 2**  
Wall plate

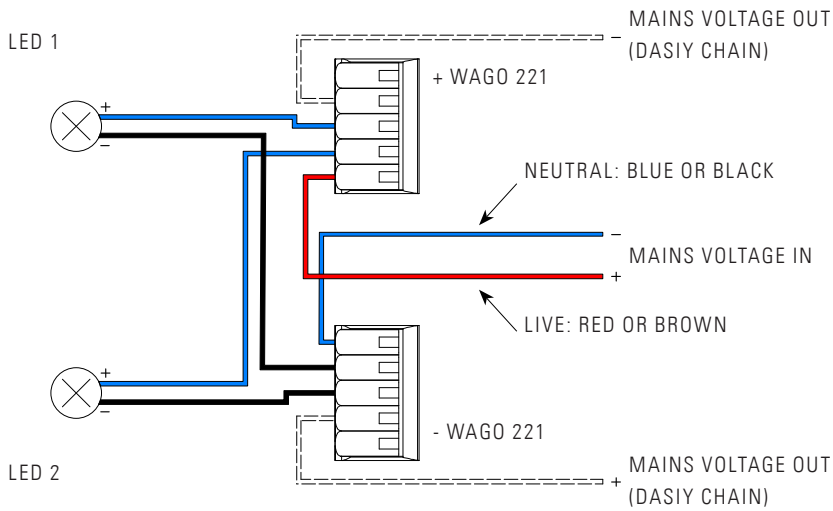
1. M6 SCREW HOLES



Attach the silicone wall plate to the wall using two M6 screws. Ensure a suitable substrate, wall plugs and screws are used (not provided).

[If electrics are being pre-installed without the lamp being present, the wall light can be located on the wall by using the cut out paper template (page 6) that locates the wall screw fixings in relation to the electrical power supply exit point.]

**DIAGRAM 3**  
Electrical Wiring Diagram



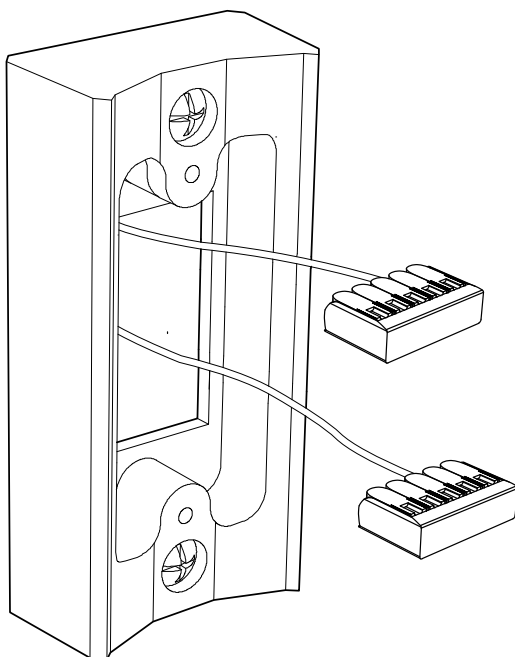
A qualified electrician **MUST** be used to connect the wall light to the mains power. Always ensure the mains power is turned OFF when installing the lamp. These LED modules are 230V AC mains voltage lamps. The LED lens caps should NOT be removed.

Note on LED module cables: BLUE is + (live), BLACK is - (neutral)

This diagram and the provided connectors (Wago 221) will allow both LED modules to be switched at the same time and for the daisy chaining of multiple lamps. Different connectors must be used to enable independent switching of the modules. For more information on connectors see [www.wago.com/gb](http://www.wago.com/gb)

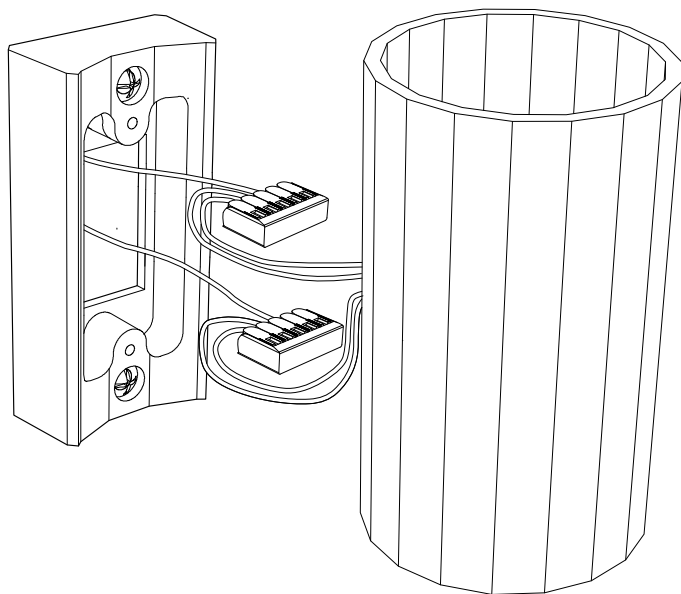
The Positive wires, from both the LED modules and the mains, connect into one of the provided connector blocks. Then the netural wires from both the LED modules and the mains connect to the other connector block.

**DIAGRAM 4**  
Connecting Mains Power to connector block.



Connect the mains cables to the Wago 221 connector by lifting the levers and then snapping them shut once the cable is inserted. Make sure the cable are wired the same as shown in diagram 3.

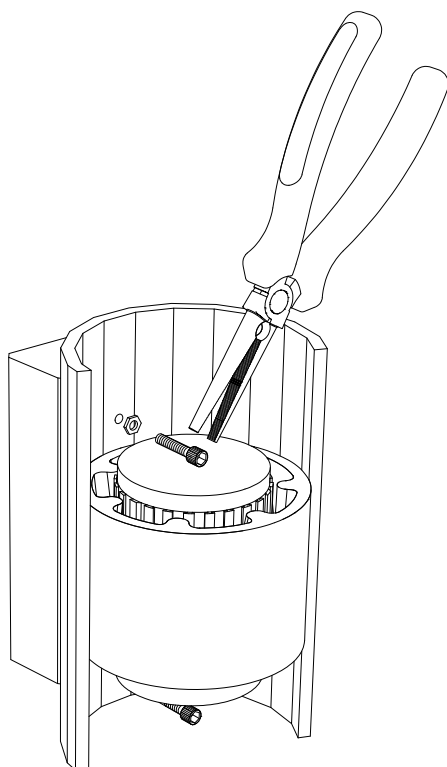
**DIAGRAM 5**  
Lamp Electrical Connection



Connect the LED cables to the Wago 221 connector by lifting the levers and then snapping them shut once the cable is inserted. Make sure the cable are wired the same as shown in diagram 3

Next insert the cable slack and connectors into the silicone wall plate or wall recess.

**DIAGRAM 6**  
Connecting the lamp shade to the wall



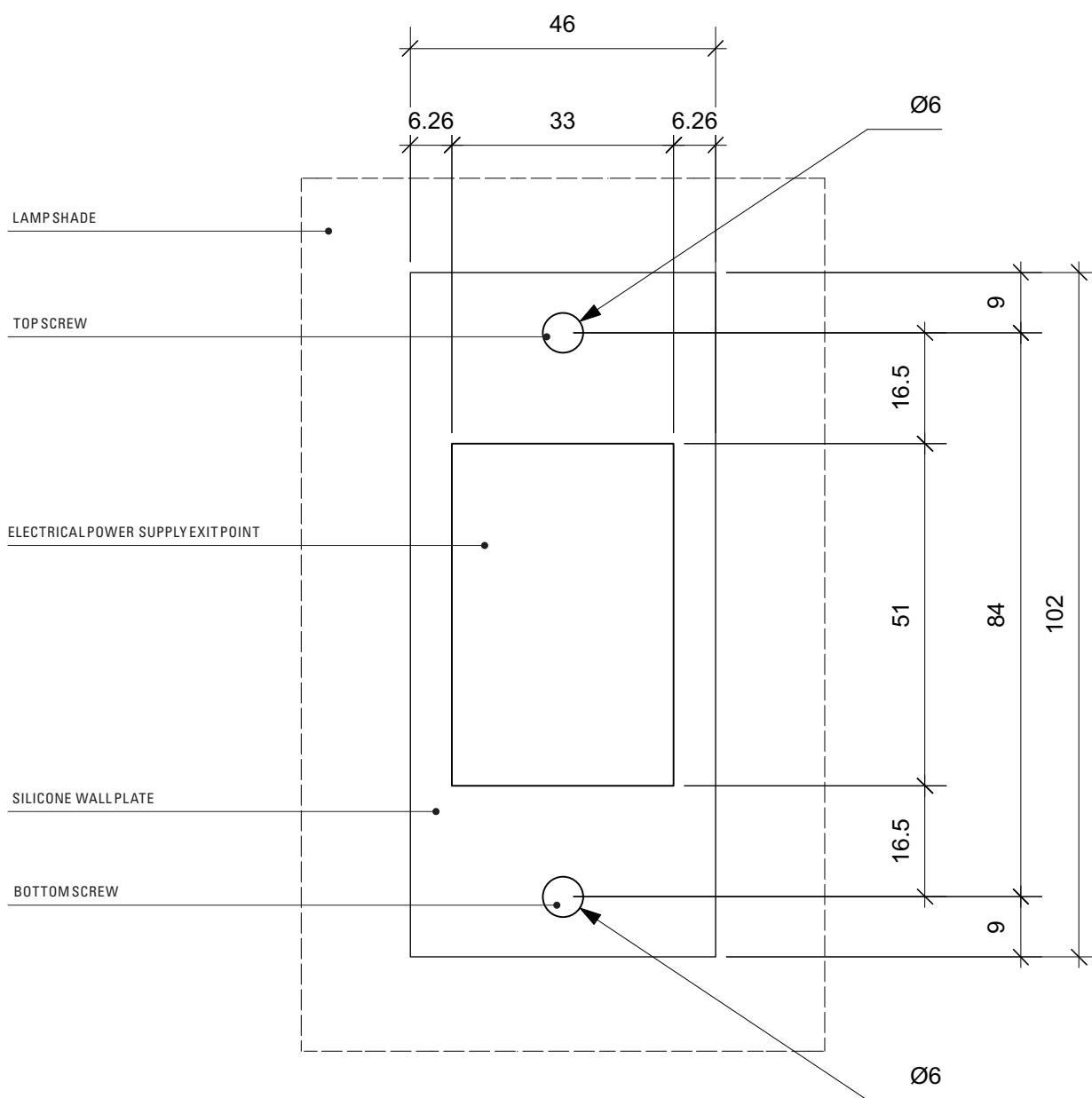
The lamp is fixed to the silicone back plate using the two provided black M3 dome-head Allen key screws and washers.

First connect the top screw and washer. Ensure the washer is located between the screw and the ceramic. Using your fingers or a pair of long-nosed pliers tighten the screw until the ceramic is firmly attached to the silicone. Once the top screw is firmly fitted locate the second screw and washer and repeat the above.


**DIAGRAM 7**  
Location Wall Template


If planning the electrics in advance of having the lights, use this A4 printed sheet of paper to locate the screw centres and locate / size the hole in the wall

When printing this page- make sure you print it at 100% (Select custom scale 100%) and check the measurements are correct or the template will be the wrong size.




Hand & Eye | Gooseberry Wall

 This luminaire contains built-in LED lamps.

 } LED

The lamps cannot be changed in the luminaire.

874/2012 



Waste electrical products should not be disposed of with household waste. Please recycle. Check with your local authority for advice on local facilities.

For LED module replacements contact Hand & Eye and we will endeavour to arrange this, subject to availability of the module. Charges apply.