

---

# GOOSEBERRY LARGE / MEDIUM

---

---

**Design by**

Thomas Housden

---

**Material & Style**

Terracotta & White Glaze

---

**Dimensions & Weight**

Large - Ø300mm H300mm

Medium - Ø240mm H240mm

5 / 3Kg

---

**Lamp Type & Wattage**

E27 lamp Max 12W LED Bulb (not included)

E26 lamp Max 12W LED Bulb (USA)

Dimmable

---

**IP**

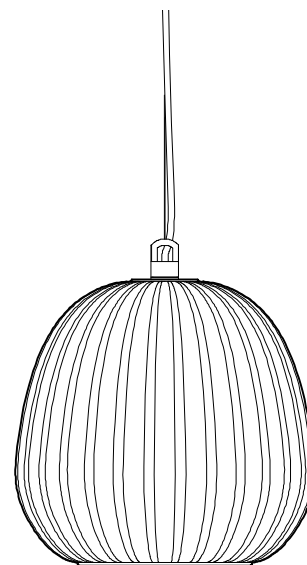
IP20

---

**Wiring Standard**

EN 60598

---



---

**Hand & Eye Studio**

Purple Studio  
Old Paradise Yard  
20 Carlisle Lane  
London  
SE17LG

T +44 (0)1252 715646

info@handandeyestudio.co.uk

---

# SAFETY NOTES

---



---

## 1 During installation:

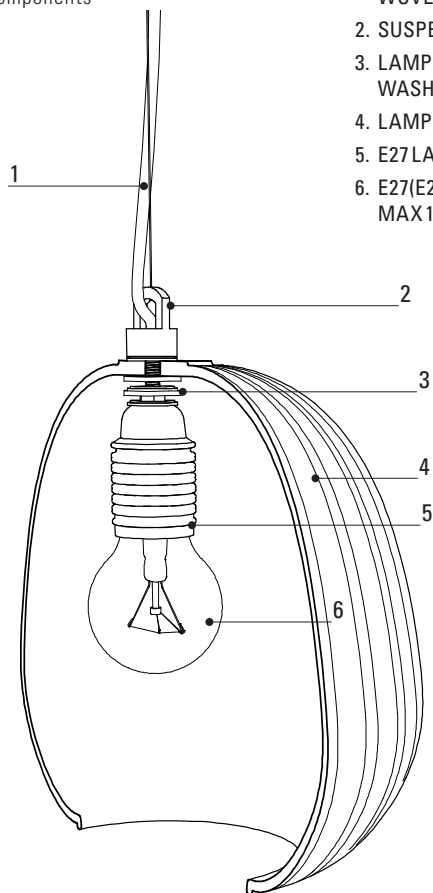
- Please read the instructions before assembly or installation.
- Be sure to use a suitably qualified person for installation as the lights require connecting to mains power
- Make sure mains power is off during installation
- Make sure that the light is securely hung from the ceiling and that there is a suitable substrate for this. The weight of the lamp needs to be taken by the suspension wire not the electrical flex.
- When attaching the ceiling rose ensure you are working from a safe platform or ladder
- Do NOT use an electric screwdriver to tighten the ceiling rose screws as this can cause it to crack

---

## 2 Once installed:

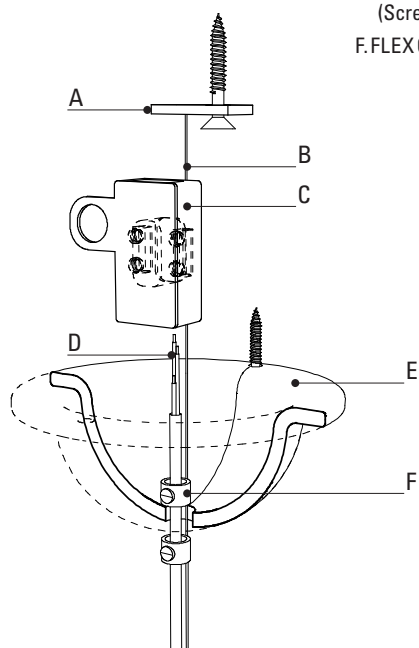
- Do NOT use a lightbulb of more than 12W to keep energy consumption low.
  - We strongly recommend using an LED lightbulb
  - Take care with the ceramic shade as this can break if hit hard enough. We recommend installing the lamp above furniture such as tables or island units or above head height.
  - If at any point your lightbulb breaks then, as with any light, do not touch the filament/LED part unless the power is turned off
  - Always turn off the power before changing a lightbulb
-

**DIAGRAM 1**  
Lamp Components



1. ELECTRIC FLEX WITH WOVEN FABRIC SHEATHING
2. SUSPENSION HOOK & WIRE
3. LAMP HOLDER POLE & WASHERS
4. LAMP SHADE
5. E27 LAMP HOLDER (E26 USA)
6. E27 (E26 USA) LIGHT BULB MAX 12W LED

**DIAGRAM 2**  
Ceiling Rose Components



- A. CEILING FIXING PLATE (Screw not supplied)
- B. SUSPENSION CABLE
- C. ELECTRICAL JUNCTION BOX
- D. ELECTRICAL FLEX
- E. TERRACOTTA CEILING ROSE (Screw not supplied)
- F. FLEX GRIPS

1 Ensure all the provided electrical components are fitted to the lamp in accordance with diagram 1. Thread the flex (1) and the lamp holder assembly through the hole at the top of the lamp. Ensure the metal washer (2) is below one or two of the rubber washers inside the lamp. Then gently thread the suspension hook (2) over the flex and attach to the lamp holder pole (3). Ensure a metal washer is placed below the suspension hook on top of the shade. Take care not to twist the fabric sheathing of the flex.

2 Thread the flex (1) and suspension cable through the ceiling rose (D) as shown in diagram 2. Re-attach the metal fixing plate (A) and the electrical junction box (C) once the flex has been cut to the required length for the final hanging height. To ensure the fabric sheathing does not fray use an electrical tape.

3 Now that the lamp is assembled and ready to hang assess the ceiling fixing point. The lamp should be hung from a suitable substrate or joist in the ceiling. The screw fixing is not provided and must be selected to suit the ceiling build up. If fixing to a plasterboard ceiling with no joist use a heavy duty expanding metal fixing available from any good hardware shop. If fixing to a timber joist use a timber screw of Min 6mm diameter. If fixing to masonry use a suitable masonry screw and raw plug. We strongly recommend the use of a professional electrician or tradesman.


4 Once the metal fixing plate has been secured to the ceiling lift the lamp to the correct height and adjust the suspension cable (B) length to suit and tighten the fixing screws well. This will require two people. One to hold the lamp and the other to secure the suspension cable. Make sure the weight of the lamp is supported by the suspension cable (2).

5 Now connect the lamp flex (D) to the mains electric cables using the connector blocks (C). Ensure all electricity is turned off at the mains switchboard. Consult an electrician.


6 Push the ceiling rose (E) over the junction box (C) and secure to the ceiling using two small screws. We recommend brass screws. No weight should be supported off the ceiling rose as this only acts to cover cables behind. The ceiling rose will not cover an existing plastic / metal ceiling rose. This will need to be removed. To ensure the flex is at the level of tension desired use the plastic flex grommet (F) inside the ceiling rose to set the flex length.


7 Fit a screw in bulb to the lamp holder (7). Do not apply a large sideways force to the pole (7). Ensure the use of Max 12W LED light bulbs. See website product info for light bulb recommendations.

Hand&Eye || Gooseberry

 This luminaire is compatible with bulbs of the energy classes:

A<sup>++</sup>  
A<sup>+</sup>  
A  
B  
C  
D  
E



874/2012 

The image shows a blue-bordered box containing the product name 'Hand&Eye || Gooseberry'. Below the name is a blue icon of a lamp and the text 'This luminaire is compatible with bulbs of the energy classes:'. To the left of the text is a vertical stack of seven energy class labels: A<sup>++</sup> (green), A<sup>+</sup> (light green), A (yellow-green), B (yellow), C (orange-yellow), D (orange), and E (red). To the right of these labels is a blue bracket and a small blue icon of a light bulb. At the bottom left of the box is the text '874/2012' and at the bottom right is the European Union flag.