

---

# TERRACOTTA SPOT LIGHT

---

---

**Design by**

Thomas Housden

---

**Material & Style**

Terracotta & White Glaze

---

**Dimensions & Weight**

Ceiling Hole Ø89mm

Ceiling Void H130mm

Visible Face Ø110mm

0.5kg

---

**Lamp Type & Wattage**

Max 7W LED GU10 bulb (not included)

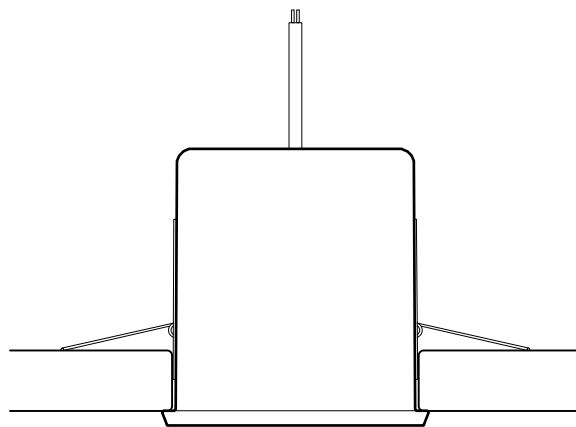
Dimmable

---

**IP**

IP20

---



---

**Hand & Eye Studio**

Purple Studio  
Old Paradise Yard  
20 Carlisle Lane  
London  
SE17LG

T +44 (0)1252 715646

info@handandeyestudio.co.uk

---

---

# SAFETY NOTES

---



---

## 1 During installation:

- Please read the instructions before assembly or installation
- Be sure to use a suitably qualified person for installation as the lights require connecting to mains power
- Make sure mains power is off during installation
- Make sure that the light is fitted in a suitable ceiling void. Ensure nothing touches the lamp above ceiling level to ensure clear air circulation.
- This lamp is NOT fire rated. If the local building regulations require a fire rated lamp ensure to build a suitable fire rated enclosure around the lamp.
- Please note the ceramic body requires a larger ceiling hole than a typical metal spot light. See details above and below.
- Do not use excessive force or power tools on the ceramic components. The terracotta is a robust material but if treated incorrectly can be broken. Broken ceramics can be sharp.

---

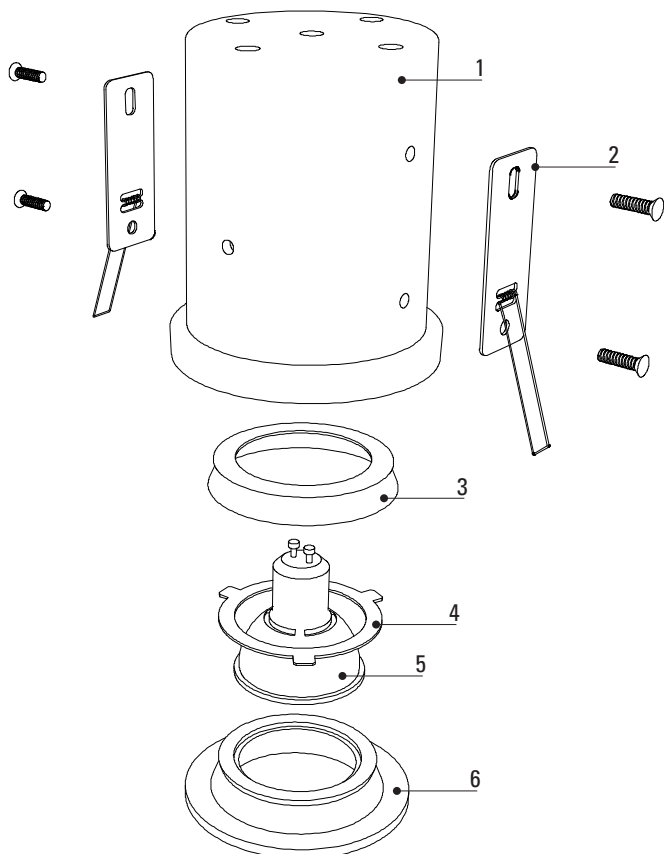
## 2 Once installed:

- Do NOT use a lightbulb of more than 7W GU10 LED in this fitting.
  - Ensure the light bulb and any dimming system are compatible. Consult an electrician.
  - This light bulb is not IP rated so should not be exposed to high levels of steam or water.
  - If at any point your lightbulb breaks then, as with any light, do not touch the filament/LED part unless the power is turned off
  - Always turn off the power before changing a lightbulb
-

**DIAGRAM 1**

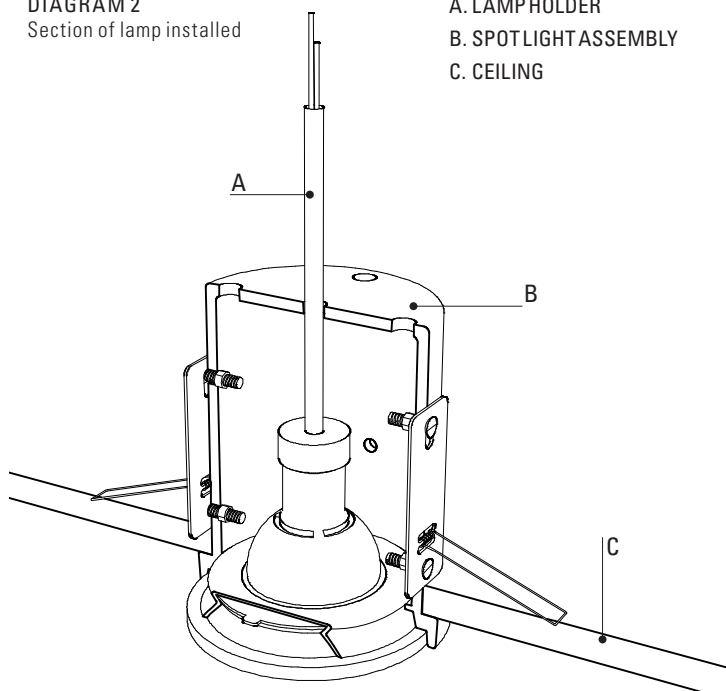
Lamp Components Exploded View

1. SPOTLIGHT BODY
2. FIXING PLATES, SPRING & SCREWS
3. SILICONE LAMP HOLDER
4. METAL INSERT
5. GU10 LED LIGHT BULB (NOT SUPPLIED)
6. GLAZED CERAMIC INSERT

**DIAGRAM 2**


Section of lamp installed


- A. LAMP HOLDER
- B. SPOTLIGHT ASSEMBLY
- C. CEILING




- 1 The lamp is supplied assembled as a complete module but is not supplied with a light bulb. To install and fit a light bulb follow the below instructions.
- 2 Cut a hole in the desired spot location in the ceiling using a 89 to 90mm cutting tool. Test the hole size with the ceramic body (1) prior to inserting fully. Please note the ceramic body can vary in size marginally.
- 3 Please note the spot lights are ideally used in a double layer of plasterboard of up to 25mm thickness as this will ensure the springs are fully tensioned.
- 4 Take the glazed terracotta insert (6) out of the Terra spot (1) by twisting it gently until it drops out. Remove the silicone ring (3) with the metal ring inside (4) from the terracotta insert (6). Place LED GU10 bulb (5) inside terracotta insert (6). Put the silicone ring (3), with the metal ring (4) inside, back on to terracotta insert (6). Its is important to pull the silicone ring all the way over the terracotta insert so that the bottom of the silicone reaches all the way down the terracotta lip. It must be smooth and flush
- 5 Thread the lamp holder(A) through the middle hole at the top of the Terra Spot (1). Connect the GU10 bulb (5) to the LED GU10 lamp holder (A).
- 6 Next place the glazed terracotta insert (6), with everything attached, into the Terra spot (1). The protruding metal points (4) will go through gaps in the inner ring of the Terra spot (1). Then twist the terracotta insert (6) and the metal ring (4) will sit on the inner ring of the Terra spot. Be careful not to twist too much as the metal points may come out from the inner ring.
- 7 Now the Terra Spot is fully assembled it can be placed into the ceiling (C). First connect the lamp holder (A) to the mains power supply. Ensure the mains power is switched OFF. Next pull the spring on the metal Plate (2) to the top of the Terra spot. Next push the Terra spot into the ceiling (C). Once pushed in the springs will unfurl behind plasterboard, holding the light to the ceiling (C). Ideally use 2 layers of plasterboard on ceiling to give maximum torsion to the springs.
- 8 Ensure the Spot Light is not being touched by any mineral wool above ceiling level. Ensure a clear area around the lamp is free for air ventilation. Please note this lamp is NOT fire rated. If you require fire rated ceilings a fire rated box construction or fire hood will be required.

Hand&Eye Terra Spot

 This luminaire is compatible with bulbs of the energy classes:





874/2012 