

---

# TERRACOTTA LARGE

---

---

**Design by**  
Thomas Housden

---

**Dimensions**  
Ø35cm, h32cm

---

**Weight**  
4-6KG

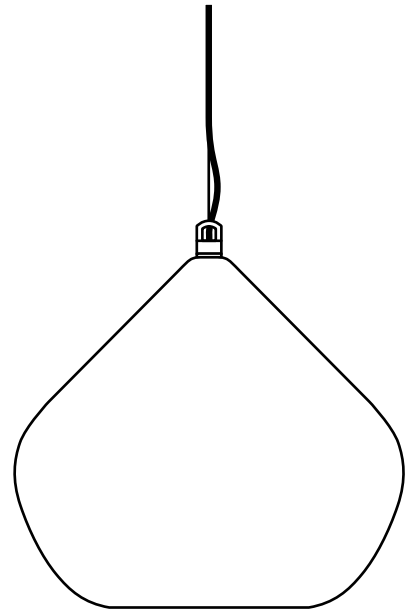
---

**Lamp Type**  
Max 42W  
Edison screw fitting  
See website for more information

---

**Wiring Certification**  
EU 9001

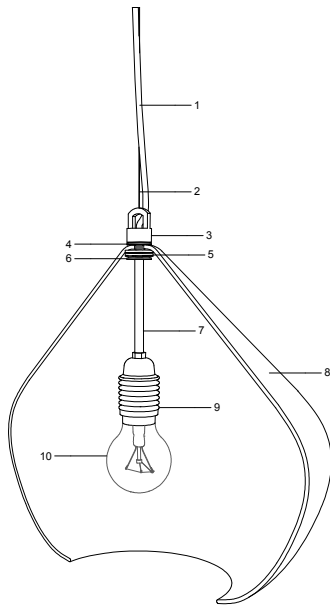
---



---

Hand & Eye Studio  
37 Stewart Road  
London, E15 2BA  
T +44 (0)20 8522 0587  
info@handandeyestudio.co.uk

**DIAGRAM 1**  
Lamp Components



1. THREE CORE ELECTRIC FLEX WITH WOVEN FABRIC SHEATHING
2. SUSPENSION CABLE TO TAKE THE WEIGHT OF THE LAMP
3. METAL FIXING WITH SUSPENSION WIRE ATTACHED
4. METAL WASHER WITH SHADOW GAP
5. RUBBER WASHERS
6. METAL WASHER
7. LAMP HOLDER POLE
8. LAMP SHADE
9. LAMP HOLDER (Edison screw in)
10. SCREW IN LIGHT BULB OF MAX 42W (not supplied)

1 Ensure all the provided electrical components are fitted to the lamp in accordance with diagram 1. Thread the flex (1) and the lamp holder assembly through the hole at the top of the lamp (8). Ensure the metal washer (6) is below one or two of the rubber washers. Then gently thread item (4) and (3) over the flex. Carefully thread this tight taking care not to twist the fabric sheathing of the flex (1).

2 Thread the flex (A) and suspension cable through the ceiling rose (B) as shown in diagram 2. Re-attach the metal fixing plate (G) and the electrical junction box (E) once the flex has been cut to the required length for the final hanging height. To ensure the fabric sheathing does not fray use an electrical tape.

3 Now that the lamp is assembled and ready to hang assess the ceiling fixing point. The lamp should be hung from a suitable substrate or joist in the ceiling. The screw fixing is not provided and must be selected to suit the ceiling build up. If fixing to a plasterboard ceiling with no joist use a heavy duty expanding metal fixing available from any good hardware shop. If fixing to a timber joist use a timber screw of min 6mm diameter. If fixing to masonry use a suitable masonry screw and raw plug. We strongly recommend the use of a professional electrician or tradesman.

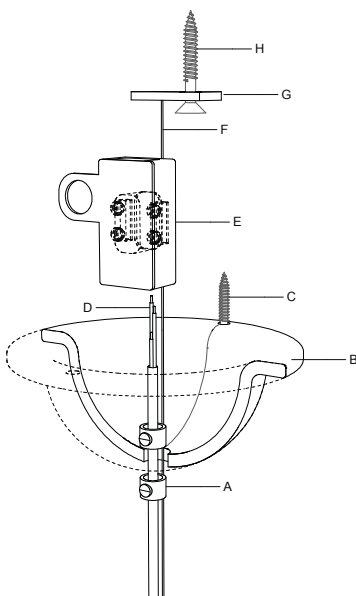
4 Once the metal fixing plate has been secured to the ceiling lift the lamp to the correct height and adjust the suspension cable (F) length to suit and tighten the fixing screws well. This will require two people. One to hold the lamp and the other to secure the suspension cable.

5 Now connect the lamp flex (D) to the mains electric cables using the connector blocks (E). Ensure all electricity is turned off at the mains switchboard. Consult an electrician.

6 Push the ceiling rose over the junction box (E) and secure to the ceiling using two small screws (C). No weight should be supported off the ceiling rose as this only acts to cover cables behind. The ceiling rose will not cover an existing plastic / metal ceiling rose. This will need to be removed. To ensure the flex is at the level of tension desired use the plastic flex grommet (A) inside the ceiling rose.

7 Fit a screw in bulb to the lamp holder (7). Do not apply a large sideways force to the pole (7). Ensure the use of max 42W heat output lamp. See website product info for light bulb recommendations.

**DIAGRAM 2**  
Ceiling Rose Components



- A. FLEX GROMMET
- B. CEILING ROSE
- C. CEILING ROSE SCREWS (not supplied)
- D. THREE CORE ELECTRICAL FLEX WITH FABRIC SHEATHING
- E. ELECTRICAL JUNCTION BOX (live & neutral)
- F. SUSPENSION CABLE ATTACHED TO METAL SUSPENSION PLATE
- G. METAL FIXING PLATE
- H. CEILING FIXING SCREW (not supplied/see instructions)