
TERRACOTTA SMALL

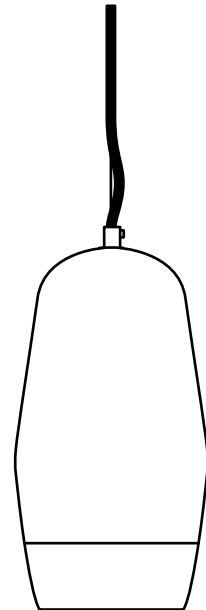
Design by
Thomas Housden

Dimensions
Ø14cm, h25cm

Weight
1KG

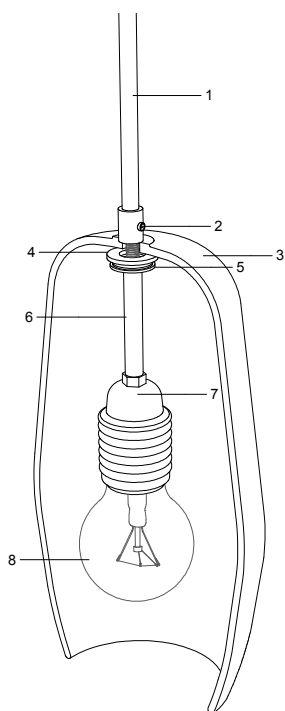
Lamp Type
Max 15W
Edison screw fitting
See website for more information

Wiring Certification
EU 9001



Hand & Eye Studio
37 Stewart Road
London, E15 2BA
T +44 (0)20 8522 0587
info@handandeyestudio.co.uk

DIAGRAM 1
Lamp Components



1. THREE CORE ELECTRIC FLEX WITH WOVEN FABRIC SHEATHING
2. PLASTIC GROMMET TO SECURE LAMP TO FLEX
3. LAMP SHADE
4. PLASTIC OR RUBBER WASHERS
5. METAL WASHER
6. LAMP HOLDER POLE
8. LAMP HOLDER (Edison screw in)
9. SCREW IN LIGHT BULB OF MAX 15W (not supplied)

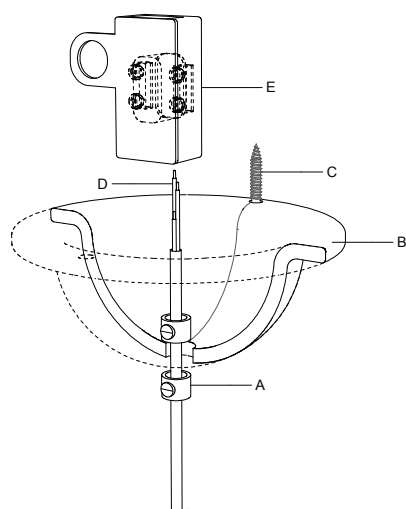
1 Ensure all the provided electrical components are fitted to the lamp in accordance with diagram 1. Thread the flex (1) and the lamp holder assembly through the hole at the top of the lamp (3). Ensure the metal washer (6) is below one or two of the plastic washers. Then gently thread item (2) over the flex. Carefully thread this tight taking care not to twist the fabric sheathing of the flex (1). the flex.

2 Once secured the grommet to the side of item (2) can be tightened with an Alan Key. This ensure the weight of the lamp is secured to the flex. Make sure the grommet meets the flex and not the metal lamp holder pole (6).

3 Now that the lamp is assembled and ready to hang assess the ceiling fixing point. The lamp should be hung from a suitable substrate. The screw fixing is not provided and must be selected to suit the ceiling build up. We suggest a fixing that allows the flex to be hooked on to the end of the hook. The weight of the lamp should be supported off the flex. Ensure the ceiling rose is threaded through the flex before securing. We strongly recommend the use of a professional electrician or tradesman.

4 Now connect the lamp flex (D) to the mains electric cables using the connector blocks (E). The connector block (E) can be fixed to the ceiling if required. Ensure all electricity is turned off at the mains switchboard. Consult an electrician.

DIAGRAM 2
Ceiling Rose Components



- A. FLEX GROMMET
- B. CEILING ROSE
- C. CEILING ROSE SCREWS (not supplied)
- D. THREE CORE ELECTRICAL FLEX WITH FABRIC SHEATHING
- E. ELECTRICAL JUNCTION BOX (live & neutral)

5 Push the ceiling rose over the junction box (E) and secure to the ceiling using two small screws (C). No weight should be supported off the ceiling rose as this only acts to cover cables behind. The ceiling rose will not cover an existing plastic / metal ceiling rose. This will need to be removed. The plastic flex grommet (A) inside the ceiling rose can be used to set the flex length.

6 Fit a screw in bulb to the lamp holder (7). Do not apply a large sideways force to the pole (7). Ensure the use of max 15W heat output lamp. See website product info for light bulb recommendations.